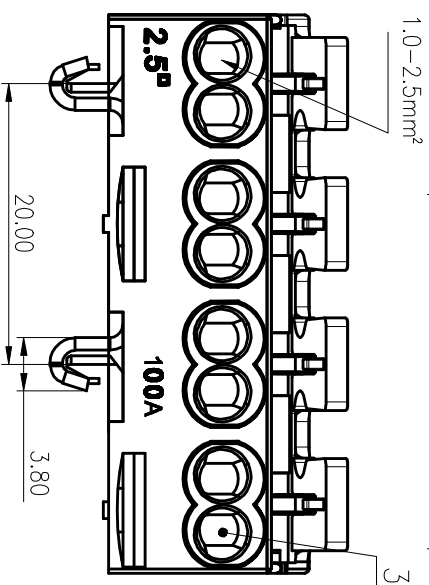
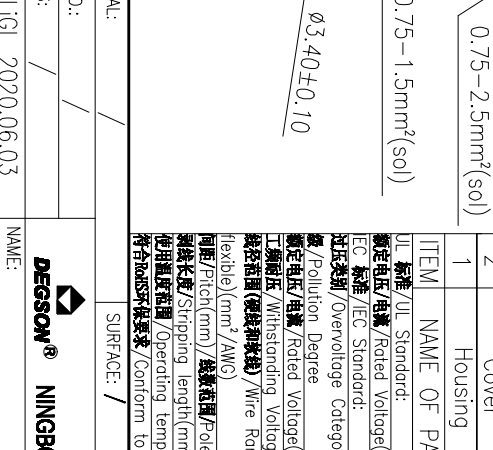
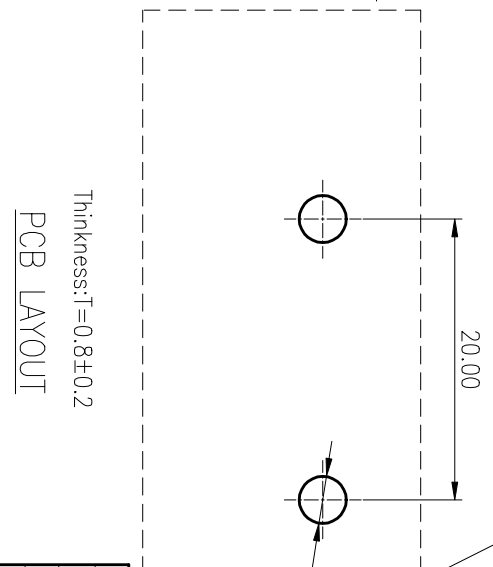
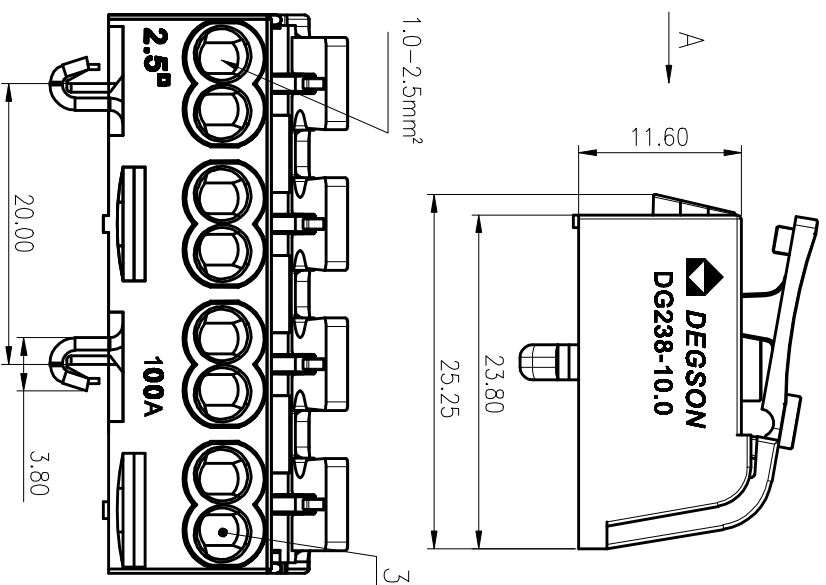
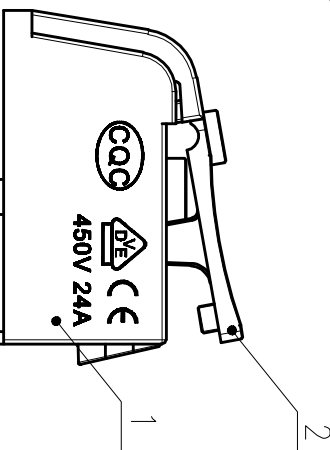
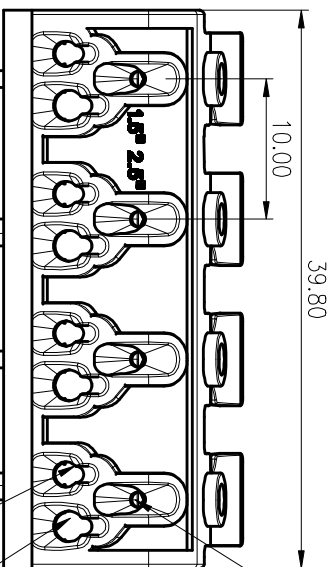
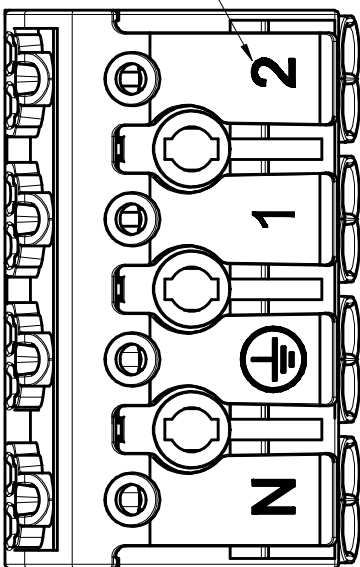


- 1. Color: Black;
- 2. Font: Arial;
- 3. Height: 3.00mm;
- 4. Width Scale: 0.8mm



Thickness: T=0.8±0.2
PCB LAYOUT

公差等级/General	Tolerances(mm)
0	>3
~	>6
3	>10
6	>18
10	>30
18	>50
30	>80
50	>120
80	>180
120	>250
180	>315
250	>400
315	>500
400	>500
500	>500
±0.12	±0.18
±0.22	±0.26
±0.31	±0.37
±0.57	±0.80
±0.93	±1.05
±1.15	±1.60
±2.20	±2.50
±Z	±Z

3	Clamp	Copper alloy	Ni-plated
2	Cover	PA66	UL94V-2
1	Housing	PA66	UL94V-2
ITEM	NAME OF PART	MATERIAL	NOTES
UL 标准	UL Standard:	B	C
额定电压/电涌/Rated Voltage(V)/Current(A)	600/20	/	/
IEC 标准/IEC Standard:			
过压类别/Overvoltage Category/污秽等级/ Pollution Degree	III/3	III/2	II/2
额定电压/电涌/Rated Voltage(V)/Current(A)	/	450/24	/
工频耐压/Withstanding Voltage(KV/Min)	/	2.5	/
线径范围(硬线和软线)/Wire Range(rigid and flexible)(mm²/AMG)	/	/	/
间距/Pitch(mm)/线数范围/Poles	10.0/04P		
铜线长度/Stripping length(mm)	9-10		
使用温度范围/Operating temperature(°C)	-40~+105		
符合RoHS要求/Conform to RoHS	Yes		

MATERIAL: / SURFACE: /

MAT NO.: /
STATUS: /
APPD: LIGL 2020.06.03
CHKD: Mek 2020.06.03

NAME: **DEGSON® NINGBO DEGSON ELECTRICAL CO., LTD**
DG238-10.0-04P-19-101A(H)

DRAWING NO.: DG238-10.0-C62
DRAFT: LuoXM 2020.06.03
TYPE: CUSTOMER DRAWING
SCALE: 2:1

REV	ECN	DESCRIPTION	DRAFT	DATE
1				
2				
3				
4				
5				
6				

