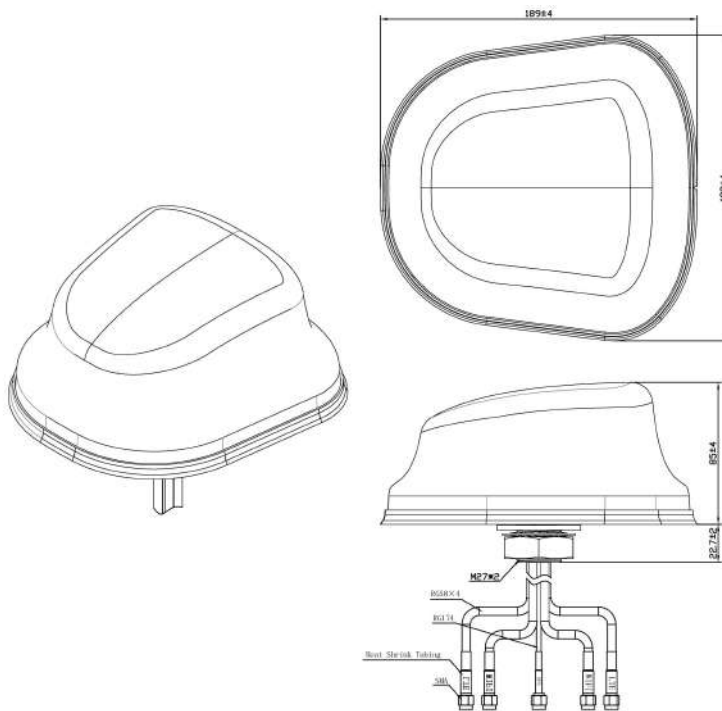


GNSS+LTE MIMO+WIFI MIMO Antenna

JCE605LMWM



DIMENSIONS

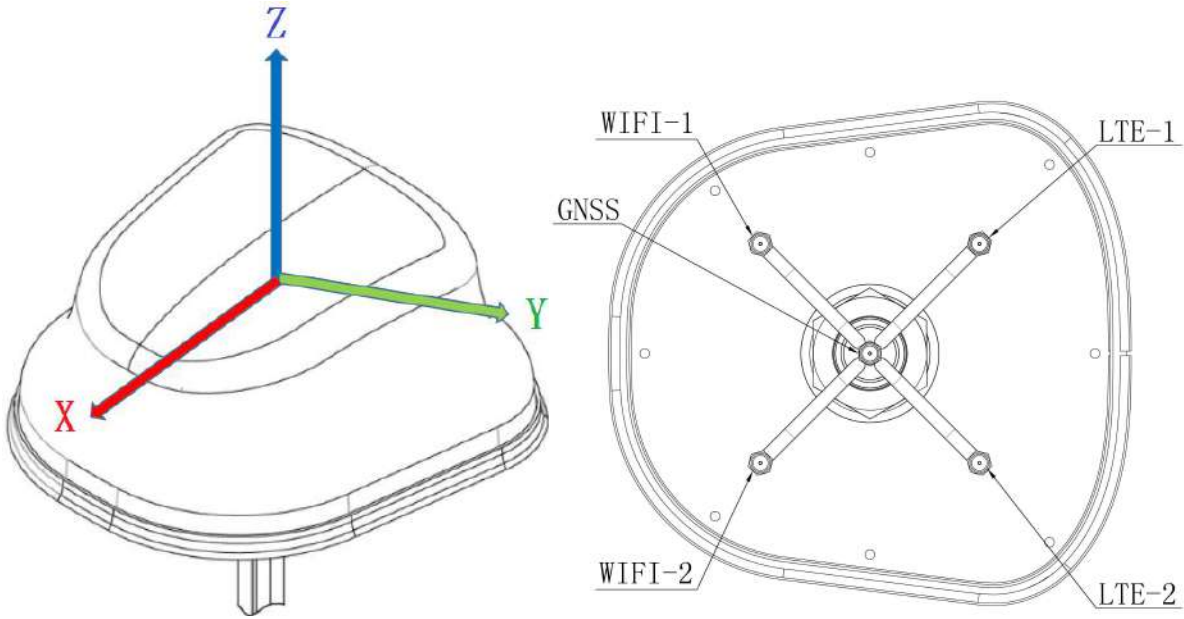


Unit:mm

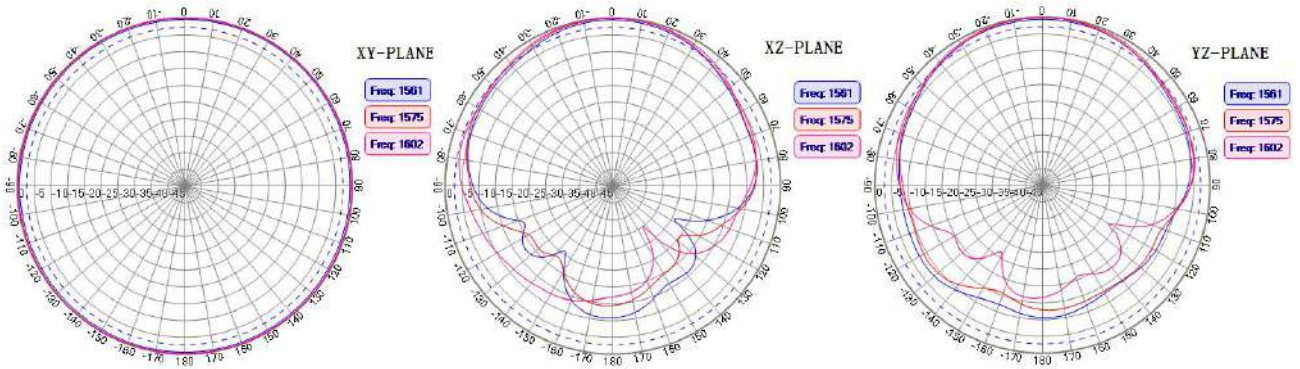
SPECIFICATIONS

Item	Specifications	
GNSS Antenna	Frequency Range	1561.098~1610MHz
	Polarization	RHCP
	Impedance	50 Ω
	Dimension	25*25*4mm
	Gain	28±2dB
	Noise Figure	≤1.5dB
	Supply Voltage	3~5V DC
	Current Consumption	<15mA
	V.S.W.R	<2.0
LTE Antenna MIMO	Frequency Range	698~960MHz/1710~2690MHz/2900~3600MHz
	V.S.W.R	<3.0
	Polarization	Linear
	Gain	4dBi (Typ.)
	Impedance	50Ω
WIFI Antenna MIMO	Frequency Range	2400~2483.5MHz/4900~5825MHz
	V.S.W.R	<2.5
	Polarization	Linear
	Gain	4dBi (Typ.)
	Impedance	50Ω
Mechanical	Cable	RG58*4 &RG174*1
	Connector	SMA or others
	Material	PC/ABS
	Mounting Method	Screw
Environmental	Operating Temperature	-40°C~+85°C
	Relative Humidity	Up to 95%
	Ingress Protection	IP67 (exclude cable outlet)
	Vibration	10 to 55Hz with 1.5mm amplitude 2hours
	Environmentally Friendly	ROHS Compliant

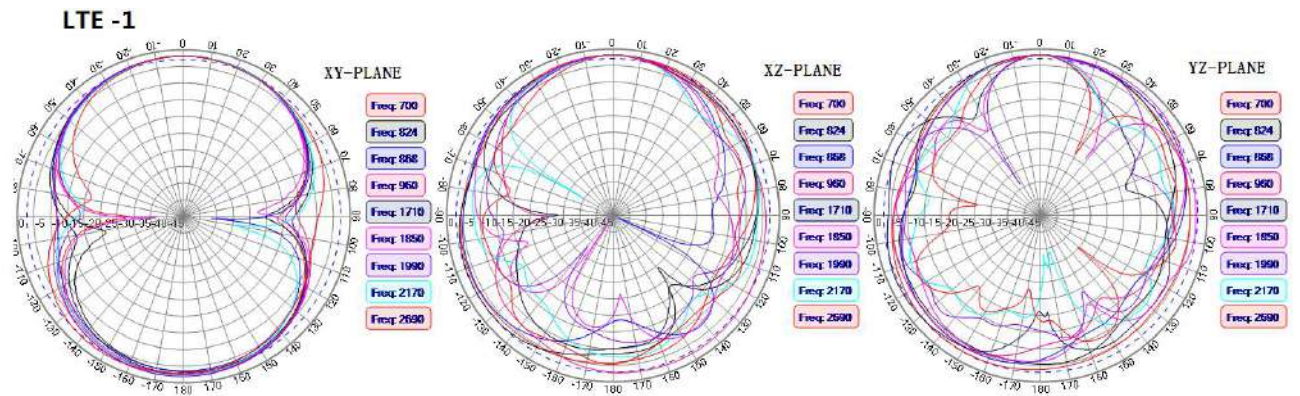
Radiation Pattern



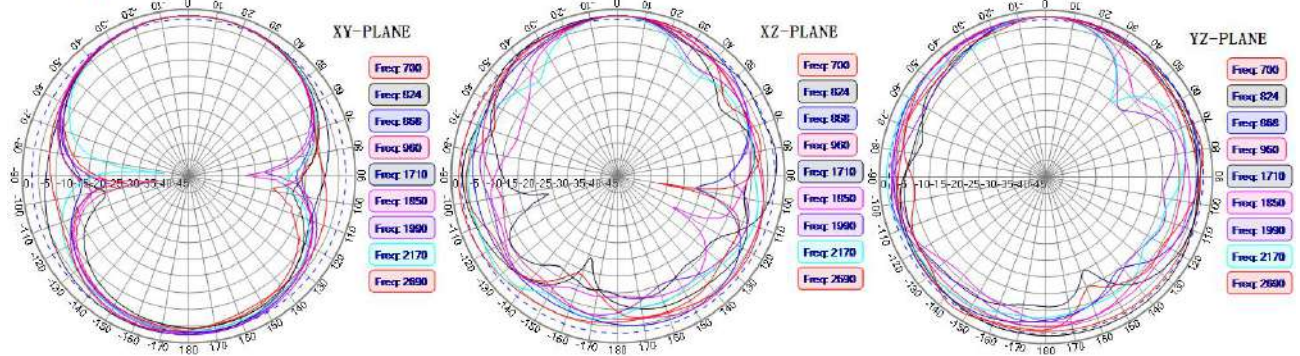
GNSS Antenna



LTE Antenna

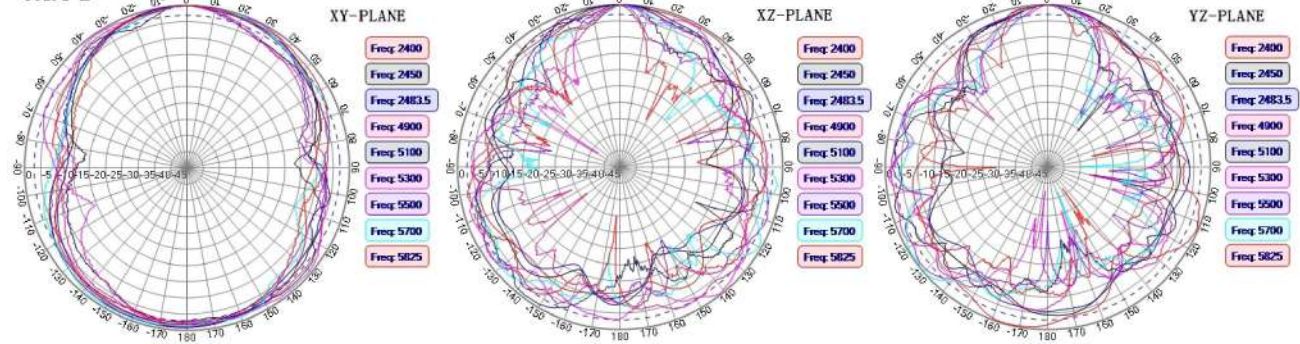


LTE -2



WIFI Antenna

WIFI-1



WIFI-2

