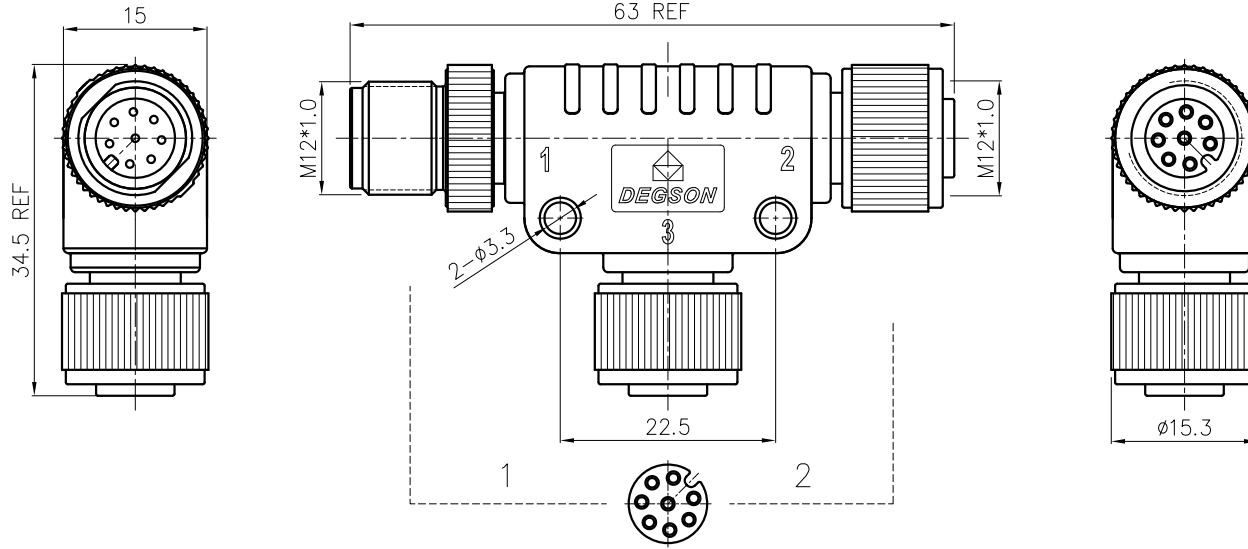
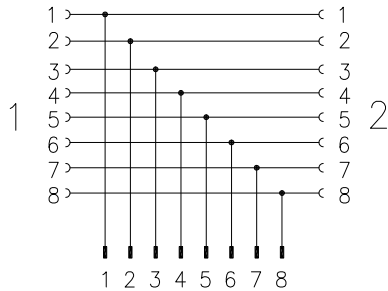


REVISION RECORD

| REV | ECN | DESCRIPTION | DRFT | DATE |
|-----|-----|-------------|------|------|
|-----|-----|-------------|------|------|



Circuit diagram:



NOTES:

- 1.RoHS Compliance,
- 2.The Code direction is shown as diagram,
- 3.Housing material: PU(Color: black),
- 4.Contact body material: PU(Color: black),
- 5.Contact material: Copper alloy,(plating: gold)
- 6.0 Ring material: Silicone,(Color: green)
- 7.Screw material: Zinc alloy (plating: Ni),

Technique parameter

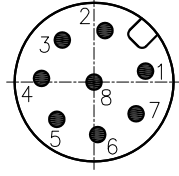
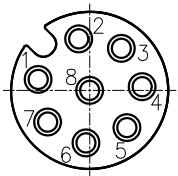
|                       |             |
|-----------------------|-------------|
| Rated voltage         | 30V         |
| Rated current         | 2A          |
| Insulation resistance | ≥100MΩ      |
| Withstanding voltage  | 800V AC     |
| Operating temperature | -25°C~+85°C |
| Levels of protection  | IP67        |
| Cable OD              | /           |

|     |        |
|-----|--------|
| 1   | white  |
| 2   | brown  |
| 3   | Green  |
| 4   | yellow |
| 5   | gray   |
| 6   | pink   |
| 7   | blue   |
| 8   | red    |
| NO. | Color  |

| Dimensional tolerance (mm) |       |         |          |           |       |
|----------------------------|-------|---------|----------|-----------|-------|
|                            | ≤30   | 30 ~ 60 | 60 ~ 100 | 100 ~ 150 | >150  |
|                            | ±0.20 | ±0.30   | ±0.50    | ±0.70     | ±1.00 |

Female(Front view)

Male(Front view)



|                        |                                     |   |            |            |
|------------------------|-------------------------------------|---|------------|------------|
| DETACHED LISTS         | PART NO.:<br>FTM12A08FM12A08MK80200 | 宁波高松电子有限公司<br>NINGBO DEGSON ELECTRICAL CO., LTD |            |            |
|                        | APPD:                               | NAME:<br>FT-M12A-08F-M12A-08M-K8-0200           |            |            |
|                        | CHKD:                               | TITLE: ASSEMBLY DRAWING                         |            |            |
|                        | DRFT: WYM 2019/05/23                | DRAWING NO.: 20000432                           | REV: TO-1  | SHEET: 1/1 |
| THIRD ANGLE PROJECTION |                                     | DO NOT SCALE DRAWING                            | SCALE: 1:1 |            |