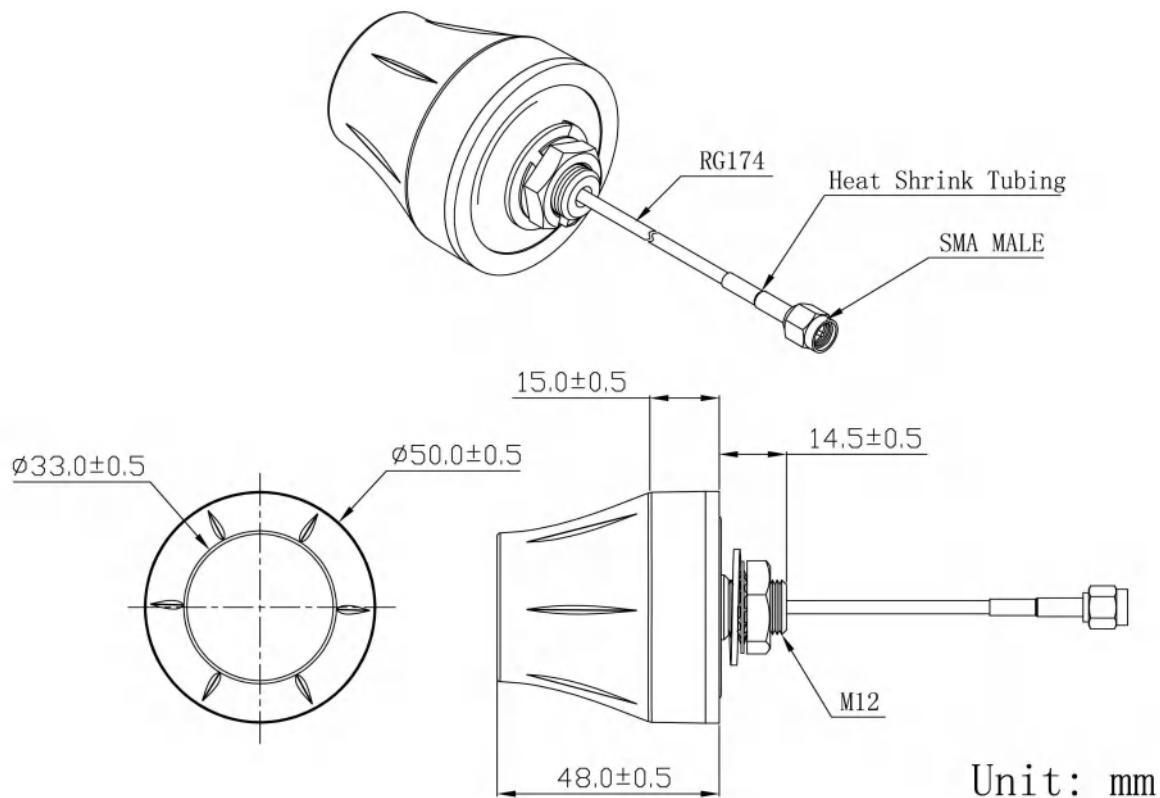


# Iridium Antenna JCYX058



## DIMENSIONS





Jinchang Electron Global Service

## SPECIFICATIONS

Item		Specifications
Antenna	Frequency Range	1616~1626.5MHz
	Band Width	10.5MHz
	Polarization	RHCP
	Gain	3dBic (Zenith)
	V.S.W.R	<2.0
	Impedance	50Ω
	Axial Ratio	5dB (max)
Mechanical	Cable	RG316 or others
	Connector	SMA or others
	Radome Material	ABS
	Mounting Method	Screw
Environmental	Operating Temperature	-40°C~+85°C
	Relative Humidity	Up to 95%
	Ingress Protection	IP67
	Vibration	10 to 55Hz with 1.5mm amplitude 2hours
	Environmentally Friendly	ROHS Compliant