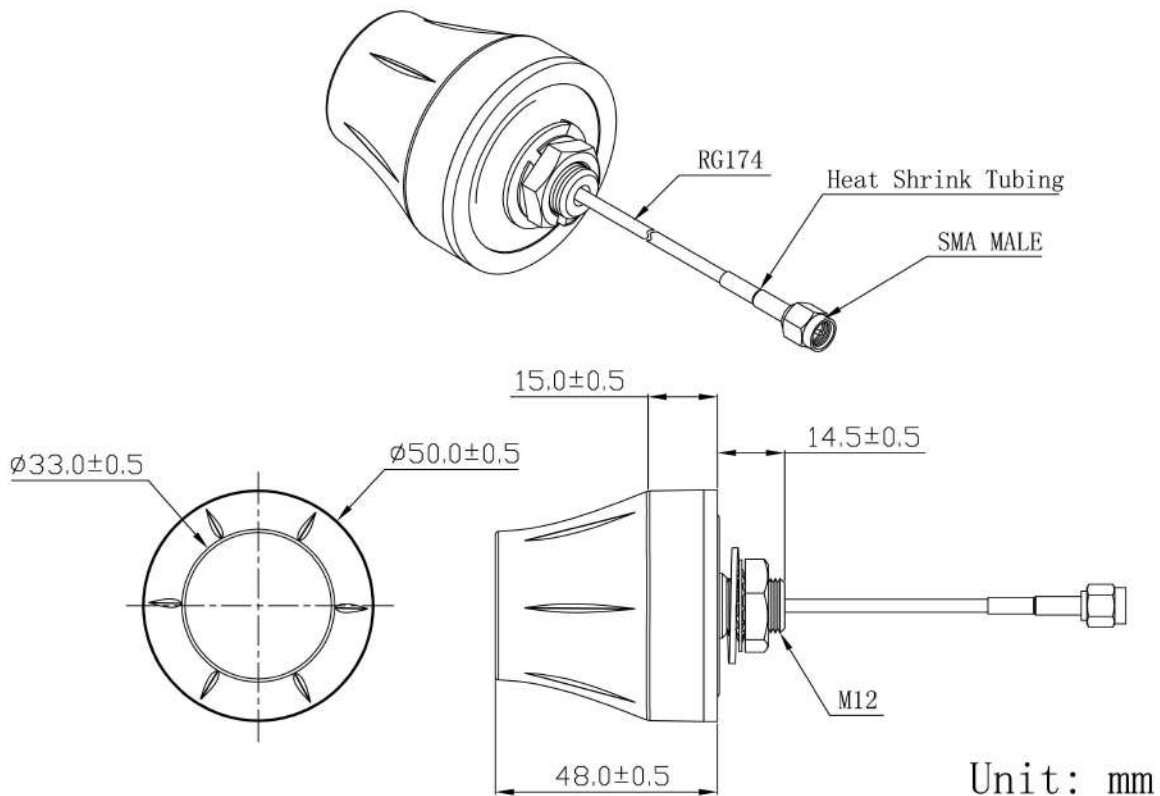


GSM Antenna JCG058



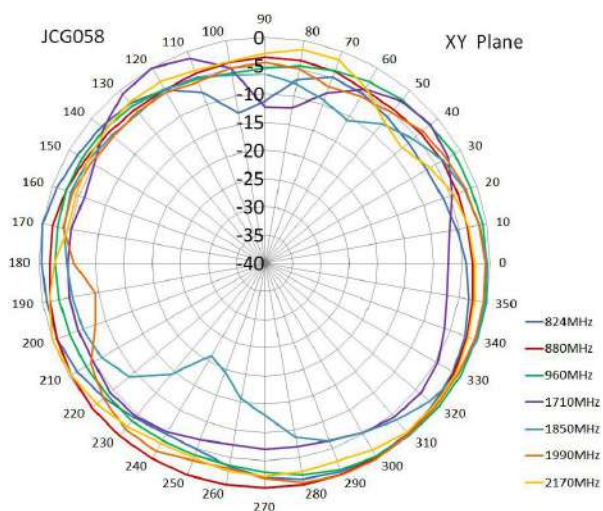
DIMENSIONS



SPECIFICATIONS

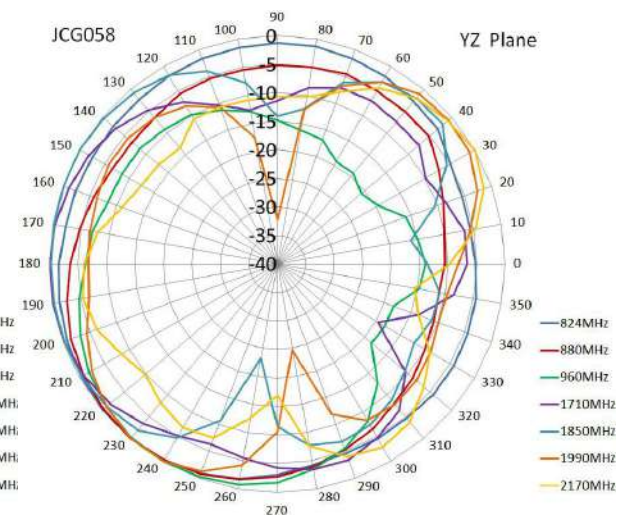
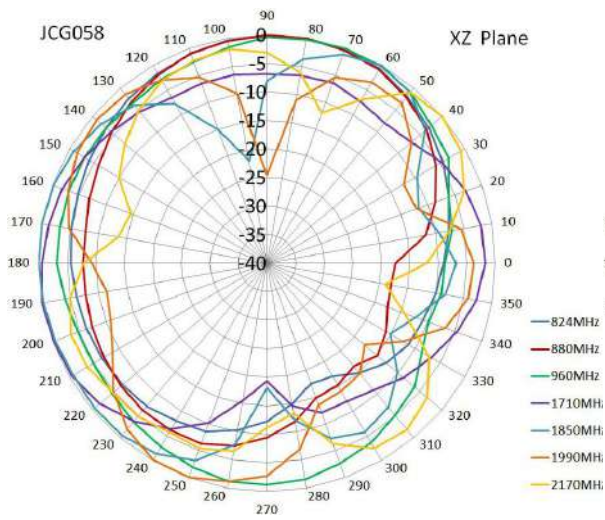
Item	Specifications	
Antenna	Frequency Range	824~960/1710~2170MHz
	Polarization	Linear
	Gain	2dBi (Zenith)
	V.S.W.R	<2.0
	Impedance	50 Ω
Mechanical	Cable	RG174 or others
	Connector	SMA or others
	Radome Material	ABS
	Mounting Method	Screw
Environmental	Operating Temperature	-40°C~+85°C
	Relative Humidity	Up to 95%
	Ingress Protection	IP67 (exclude cable outlet)
	Vibration	10 to 55Hz with 1.5mm amplitude 2hours
	Environmentally Friendly	ROHS Compliant

Radiation Pattern





Jinchang Electron Global Service



Zhejiang JC Antenna Co., Ltd.
Address: 398#, Zhenye Road, South Street, Jiaxing, Zhejiang, China
www.jinchanggps.com

Contact: Dora Soong
Email&Skype: sale2@jinchanggps.com
Mobile: +86 18405863271