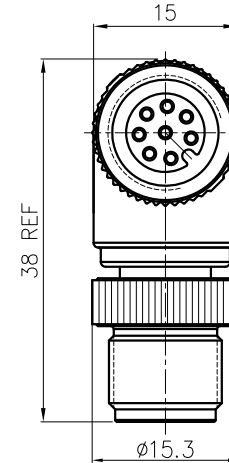
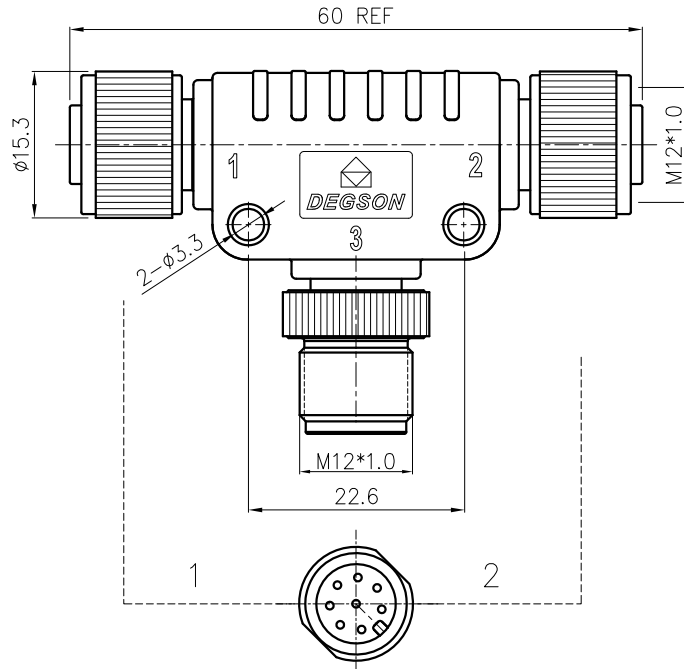
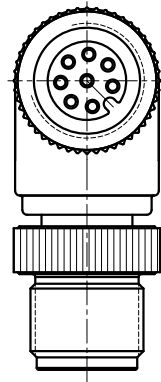
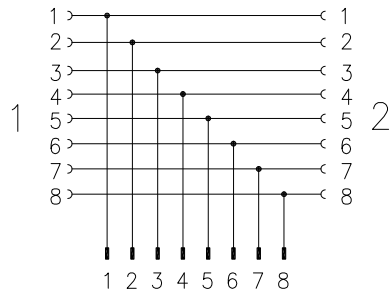


REVISION RECORD

REV	ECN	DESCRIPTION	DRFT	DATE
-----	-----	-------------	------	------



Circuit diagram:



NOTES:

- 1.RoHS Compliance,
- 2.The Code direction is shown as diagram,
- 3.Housing material: PU(Color: black),
- 4.Contact body material: PU(Color: black),
- 5.Contact material: Copper alloy,(plating: gold)
- 6.0 Ring material: Silicone,(Color: green)
- 7.Screw material: Zinc alloy (plating: Ni),

Technique parameter

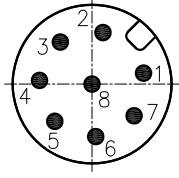
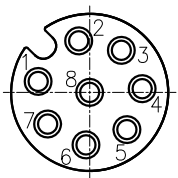
Rated voltage	30V
Rated current	2A
Insulation resistance	≥100MΩ
Withstanding voltage	800V AC
Operating temperature	-25°C~+85°C
Levels of protection	IP67
Cable OD	/

1	white
2	brown
3	Green
4	yellow
5	gray
6	pink
7	blue
8	red
NO.	Color

Dimensional tolerance (mm)				
≤30	30 ~ 60	60 ~ 100	100 ~ 150	>150
±0.20	±0.30	±0.50	±0.70	±1.00

Female(Front view)

Male(Front view)



DETACHED LISTS	PART NO.: FTM12A08MM12A08FQ0200	宁波高松电子有限公司 NINGBO DEGSON ELECTRICAL CO., LTD		
	APPD:	NAME: FT-M12A-08M-M12A-08F-Q-0200		
	CHKD:	TITLE: ASSEMBLY DRAWING		
	DRFT: WYM 2019/05/23	DRAWING NO.: 20000433	REV: T0-1	SHEET: 1/1
THIRD ANGLE PROJECTION		DO NOT SCALE DRAWING	SCALE: 1:1	