

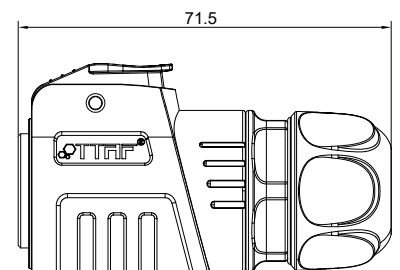
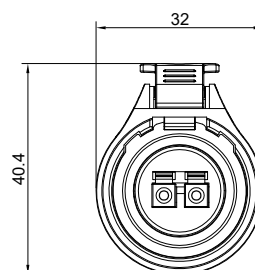
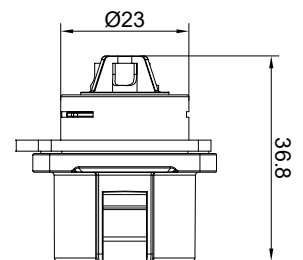
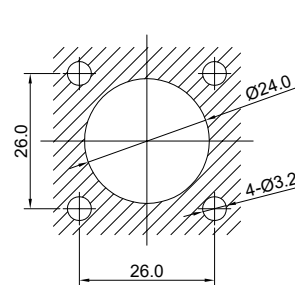
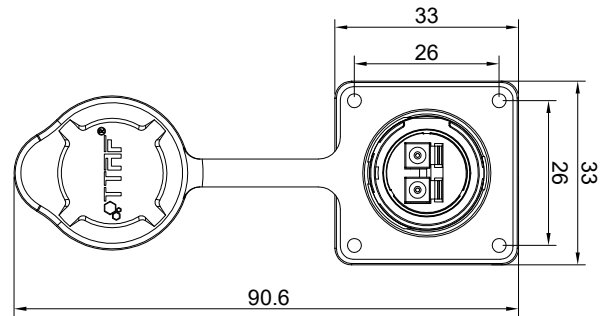


TT30 DATA SERIES

Waterproof Fiber LC DX Pluggable Connector

Product Code - TT 30 SERIES FIBER

EN 60309-1
 EN 60695-2
 EN 61984-2009



Type	Fiber
Connection Type	Plug/Unplug
Durability	500
Receptacle Housing	PBT, Black
Cable Outer Diameter	2 mm - 8.4 mm
Operating temperature	-40°C- 80°C
IP Class	IP65/IP67



Product Code

TT	30	M	03	PE	0	1	001
1	2	3	4	5	6	7	8

1 Product Name	Name Of Product
2 Mounting Size	20 - 25 - 30 - 35
3 Type Of Terminal	M: male, F: female, U: USB, R: RJ45, F: fiber optic
4 Quantity Of Terminal	2 - 3 - 4 - 7 - 9 etc.
5 Category	PE: panel type , SX: cable type
6 Connection Of Wire	0: solder
7 Generation	1
8 Special Code	Material Color

