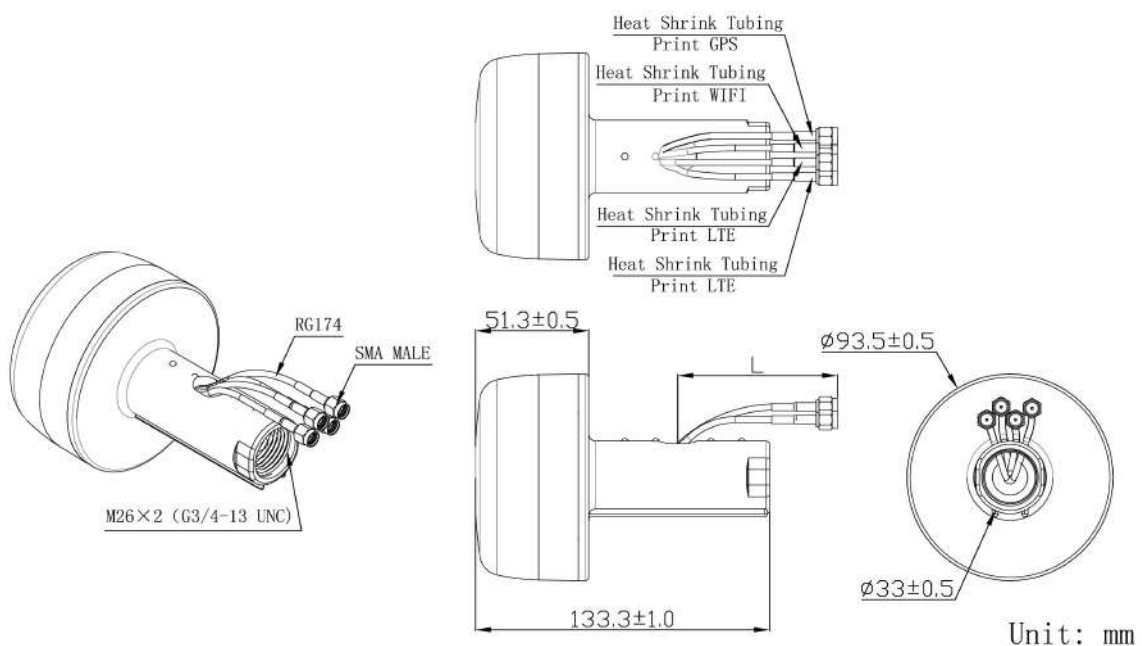


GPS+WIFI+LTE MIMO Antenna JCE005LM



DIMENSIONS



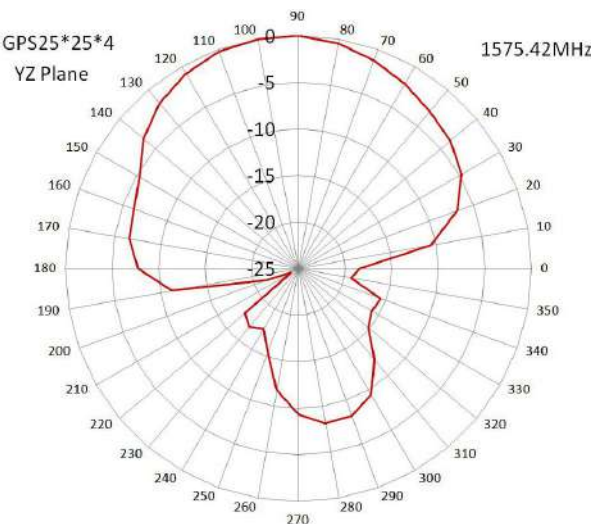
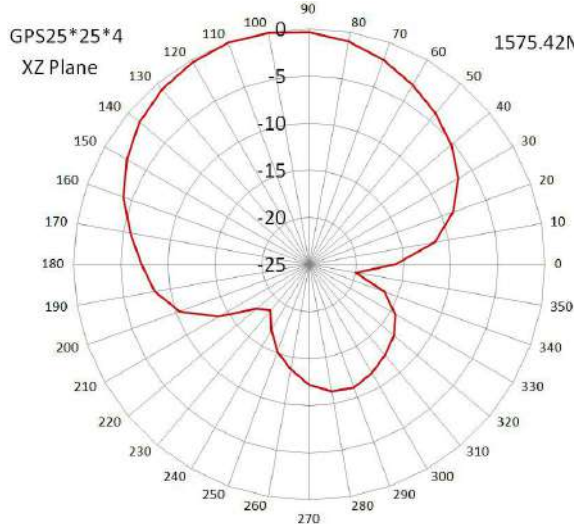
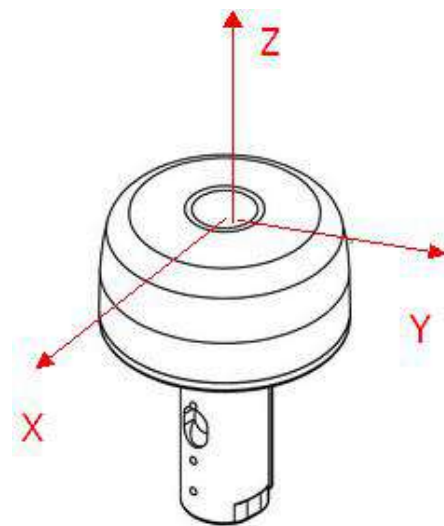
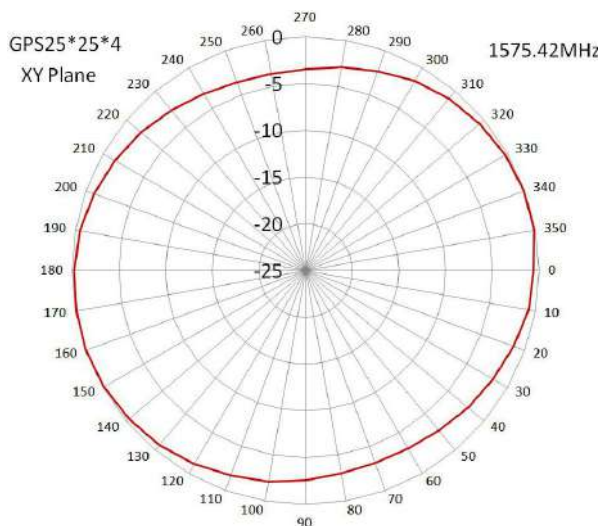
SPECIFICATIONS

| Item | Specifications | |
|----------------------------|---------------------|-----------------------------|
| GPS Antenna | Center Frequency | 1575.42 ± 3MHz |
| | Band Width | CF ± 5MHz |
| | Polarization | RHCP |
| | Impedance | 50 Ω |
| | Axial Ratio | 3dB (max) |
| | Dimension | 25*25*4mm |
| | Gain | 28 ± 2dB |
| | Noise Figure | ≤ 1.5dB |
| | Supply Voltage | 2.2~5V DC |
| | Current Consumption | < 15mA |
| | V.S.W.R | < 2.0 |
| WIFI Antenna | Frequency Range | 2400~2483.5MHz/4900~5825MHz |
| | V.S.W.R | < 2.5 |
| | Polarization | Linear |
| | Gain | 2dBi |
| | Impedance | 50Ω |
| LTE Antenna MIMO1 | Frequency Range | 698~960MHz/1710~2690MHz |
| | V.S.W.R | < 2.5 |
| | Polarization | Linear |
| | Gain | 3dBi |
| | Impedance | 50Ω |
| LTE Antenna MIMO2 | Frequency Range | 698~960MHz/1710~2690MHz |
| | V.S.W.R | < 2.5 |
| | Polarization | Linear |
| | Gain | 3dBi |
| | Impedance | 50Ω |
| LTE MIMO Antenna Isolation | Isolation | ≥ 10dB (L ≥ 3m) |
| Mechanical | Cable | RG174 or others |

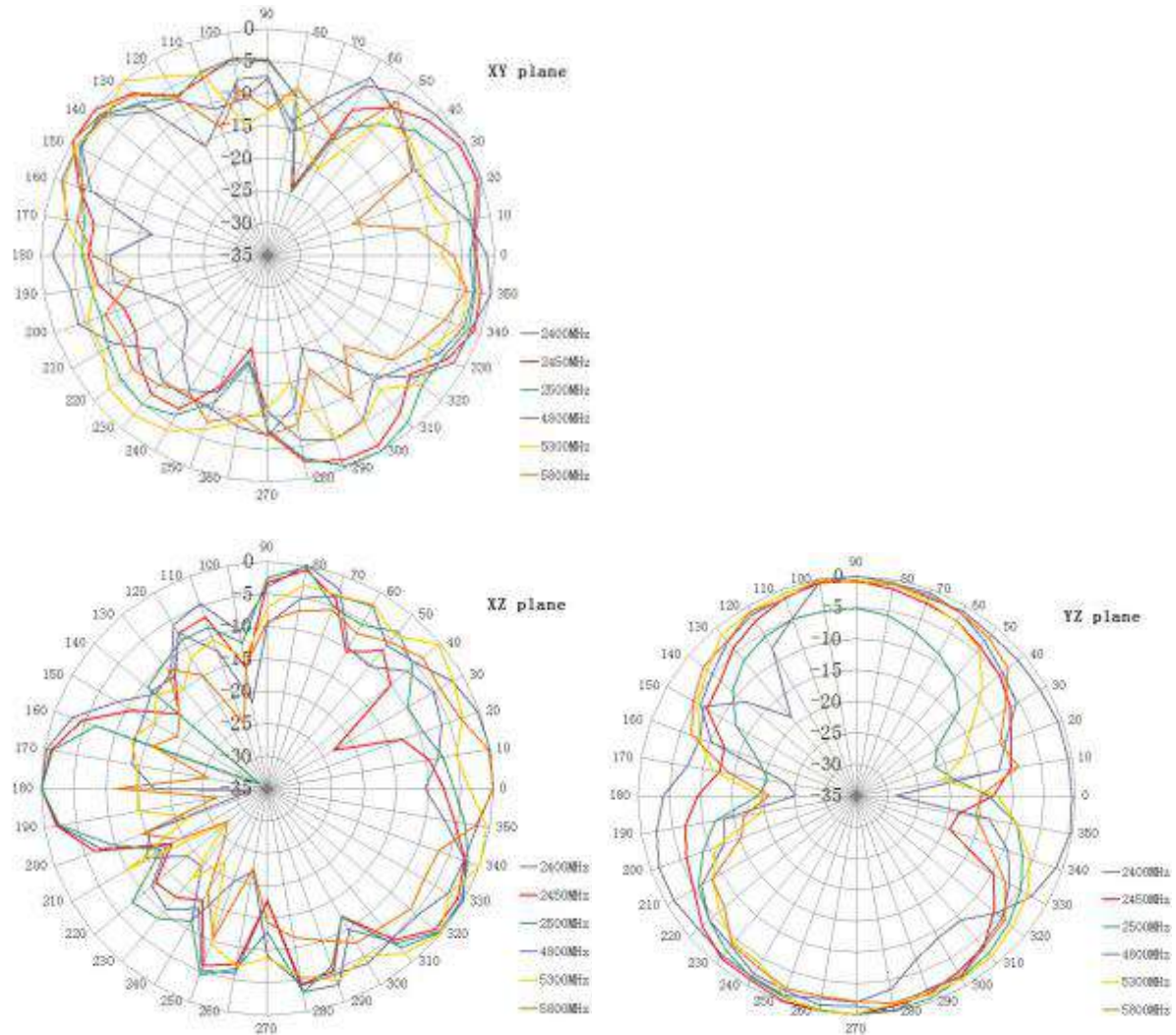
| | | |
|---------------|--------------------------|--|
| | Connector | SMA or others |
| | Radome Material | ABS |
| | Mounting Method | Screw |
| Environmental | Operating Temperature | -40°C~+85°C |
| | Relative Humidity | Up to 95% |
| | Ingress Protection | IP67 (exclude cable outlet) |
| | Vibration | 10 to 55Hz with 1.5mm amplitude 2hours |
| | Environmentally Friendly | ROHS Compliant |

Radiation Pattern

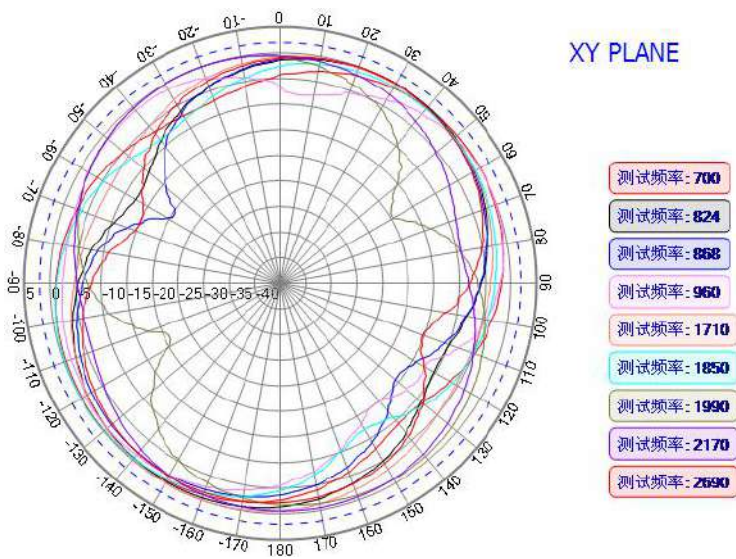
GPS Antenna



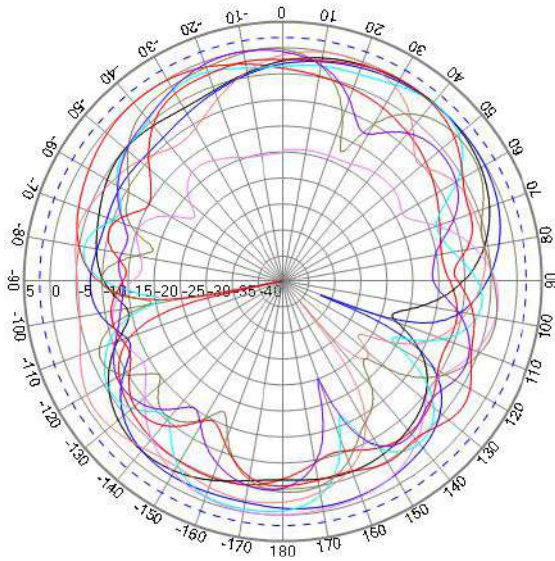
WIFI Antenna



LTE Antenna

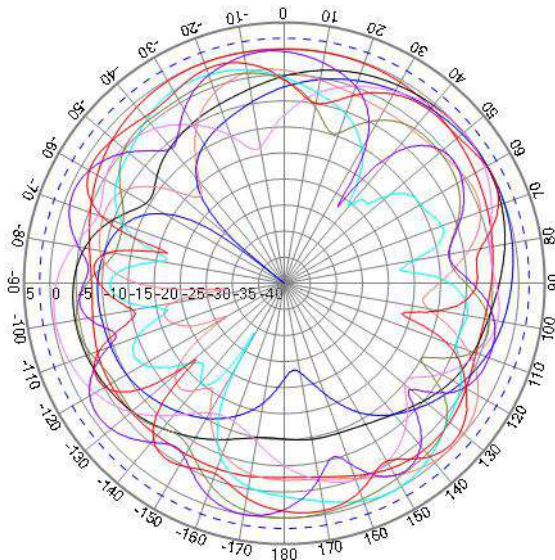


XZ PLANE



- 测试频率: 700
- 测试频率: 824
- 测试频率: 868
- 测试频率: 960
- 测试频率: 1710
- 测试频率: 1850
- 测试频率: 1990
- 测试频率: 2170
- 测试频率: 2690

YZ PLANE



- 测试频率: 700
- 测试频率: 824
- 测试频率: 868
- 测试频率: 960
- 测试频率: 1710
- 测试频率: 1850
- 测试频率: 1990
- 测试频率: 2170
- 测试频率: 2690