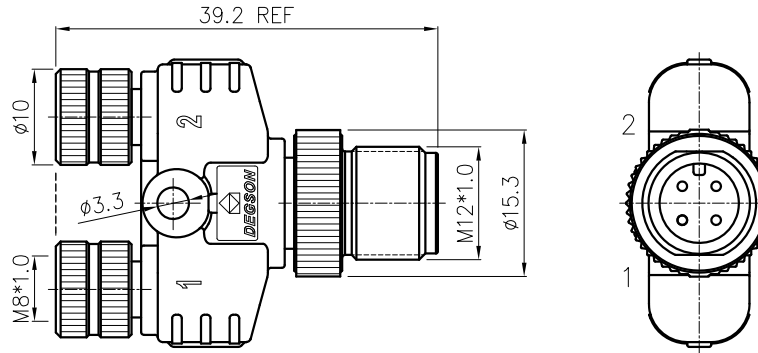
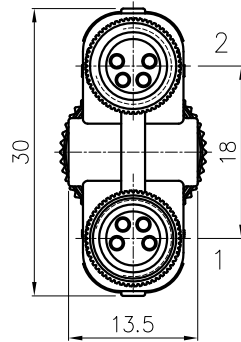
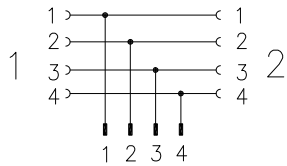


REVISION RECORD

REV	ECN	DESCRIPTION	DRFT	DATE



Circuit diagram:

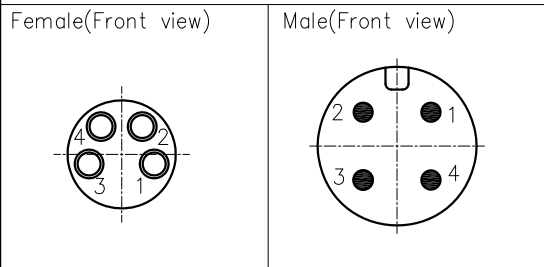


NOTES:

- 1.RoHS Compliance,
- 2.The Code direction is shown as diagram,
- 3.Housing material:PU(Color:black),
- 4.Contact body material:PU(Color:black),
- 5.Contact material:Copper alloy,(plating:gold)
- 6.O Ring material:Silicone,(Color:green)
- 7.M12-Screw material:Zinc alloy (plating:Ni),
- 8.M8-Screw material:Copper alloy (plating:Ni),

Technique parameter

Rated voltage	60V
Rated current	3A
Insulation resistance	≥100MΩ
Withstanding voltage	500V AC
Operating temperature	-25°C~+85°C
Levels of protection	IP67
Cable OD	/



Dimensional tolerance (mm)				
≤30	30 ~ 60	60 ~ 100	100 ~ 150	>150
±0.20	±0.30	±0.50	±0.70	±1.00

DETACHED LISTS	PART NO.: FYM12A04MM8A04FT0100	宁波高松电子有限公司 NINGBO DEGSON ELECTRICAL CO., LTD		
	APPD:	NAME: FY-M12A-04M-M8A-04F-T-0100		
	CHKD:	DRFT: WYM 2019/05/23	TITLE: ASSEMBLY DRAWING	REV TO-1
	THIRD ANGLE PROJECTION		DRAWING NO.: 20000427	SHEET 1/1
		MM (INCH)	DO NOT SCALE DRAWING	SCALE 1:1