



# KLM Series

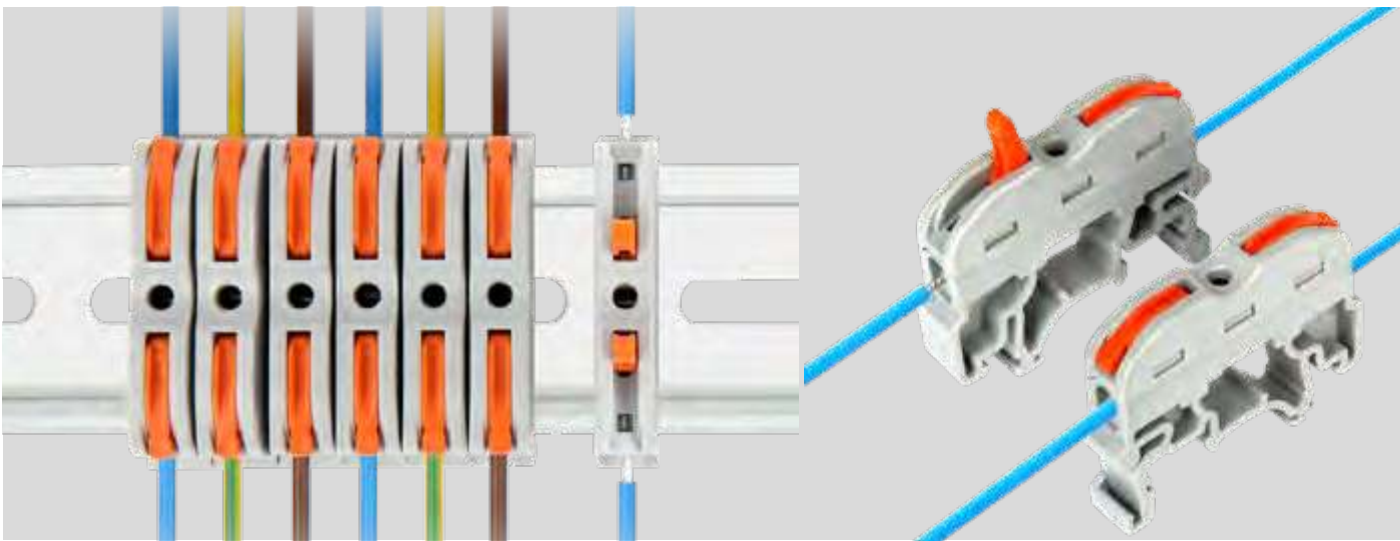




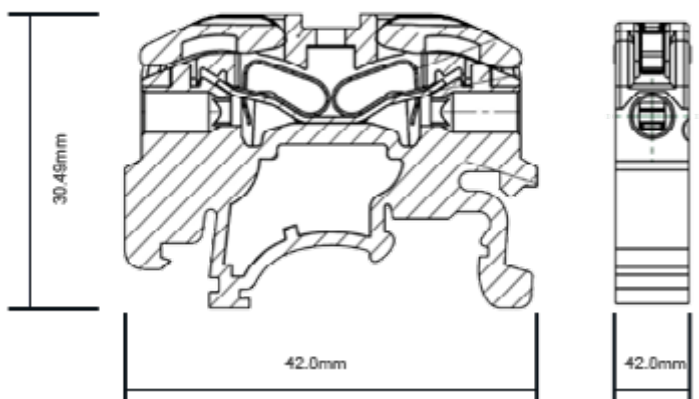
# KLM Series

## 1 Pin Rail Type Without Screw Terminal Block

Product Code - KLM-29-G



Number of Poles	1
Voltage Rating	250V /600V.
Current Rating	32A max.
Cable Diameter	28-12 AWG
Temperature Resistance	25
L/W/H	42.8X8X30.49
Contact Resistance	0.015 mΩ
Insulation Resistance	1000 MΩ
Contact/Terminal Material	Nickel-Plated Brass
Mold Material	Nylon UL 94V 2 (0) PA66

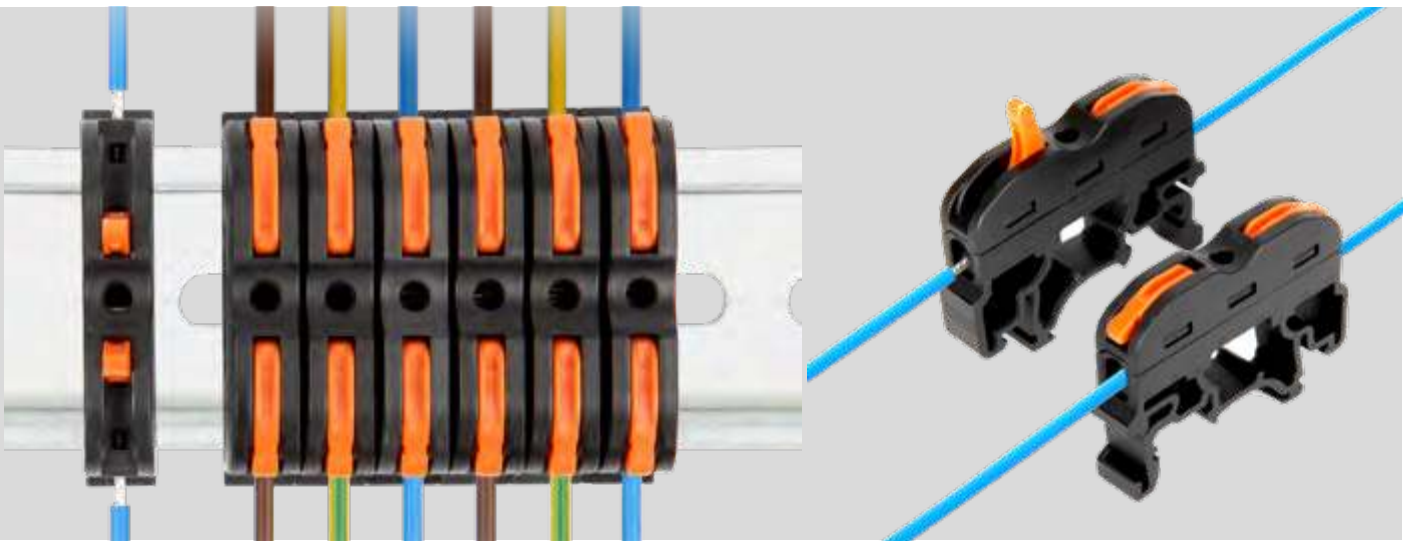




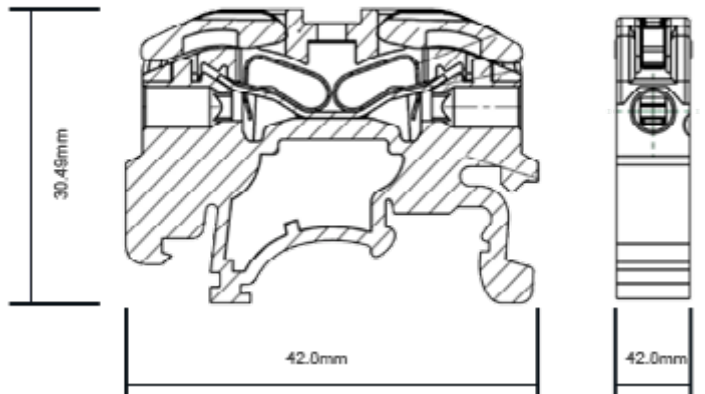
# KLM Series

## 1 Pin Rail Type Without Screw Terminal Block

Product Code - KLM-29-SY



Number of Poles	1
Voltage Rating	250V /600V.
Current Rating	32A max.
Cable Diameter	28-12 AWG
Temperature Resistance	25
L/W/H	42.8X8X30.49
Contact Resistance	0.015 mΩ
Insulation Resistance	1000 MΩ
Contact/Terminal Material	Nickel-Plated Brass
Mold Material	Nylon UL 94V 2 (0) PA66

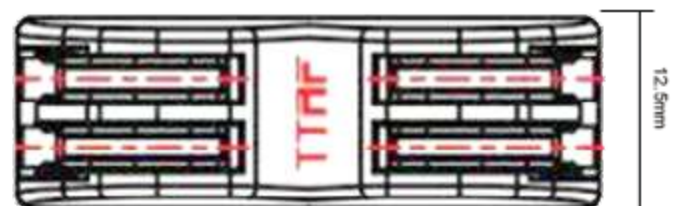
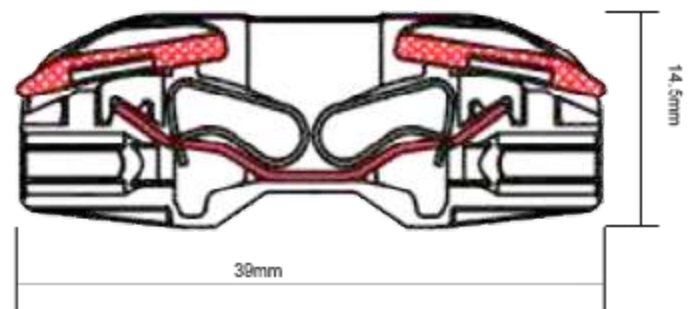




## KLM Series

### 2 Pin Without Screw Terminal Block

Product Code - KLM-30



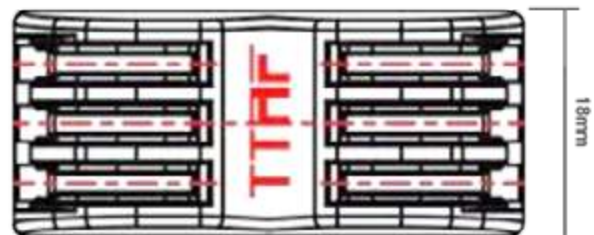
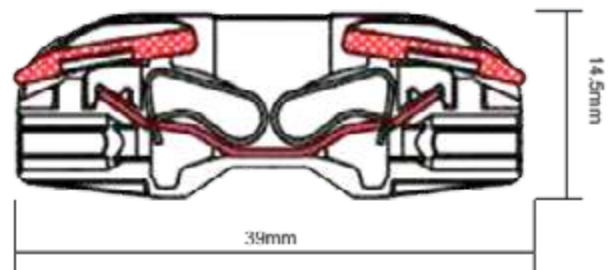
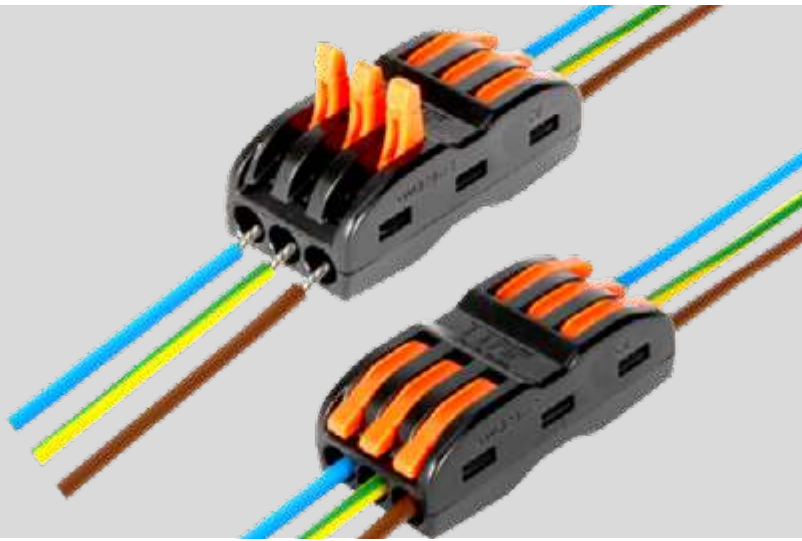
Number of Poles	2
Reference Standart	IEC
Voltage Resistance	2.5kv
Voltage Rating	450V /600V.
Current Rating	32A max.
Wire Diameter	0,14(0.2)~4awg/mm <sup>2</sup>
L/W/H	39X12.5X14.5
Temperature Rate	-40°C ~ +105°C
Contact / Terminal Material	Electrolytic Copper Nickeltin
Mold Material	PA66



## KLM Series

### 3 Pin Without Screw Terminal Block

Product Code - KLM-31



Number of Poles	3
Reference Standart	IEC
Voltage Resistance	2.5kv
Voltage Rating	450V / 600V.
Current Rating	32A max.
Wire Diameter	0,14(0.2)~4awg/mm <sup>2</sup>
L/W/H	39X18X14.5
Temperature Rate	-40°C ~ +105°C
Contact / Terminal Material	Electrolytic Copper Nickeltin
Mold Material	PA66