



*Jinchang Electron Global Service*

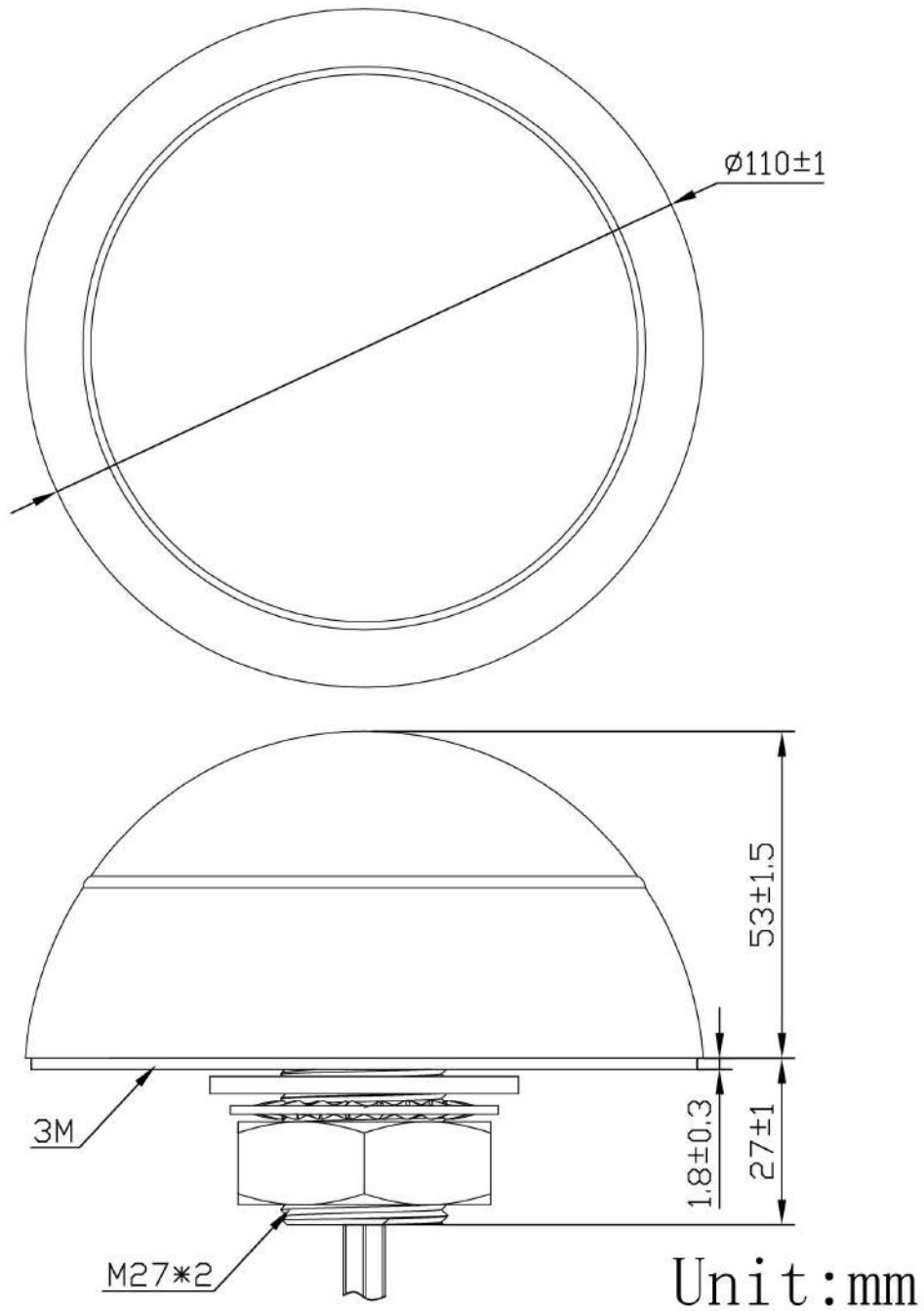
# GNSS Active Navigation Antenna **JCA604**



Zhejiang JC Antenna Co., Ltd.  
Address: 398#, Zhenye Road, South Street, Jiaxing, Zhejiang, China  
[www.jinchanggps.com](http://www.jinchanggps.com)

Contact: Dora Soong  
Email&Skype: [sale2@jinchanggps.com](mailto:sale2@jinchanggps.com)  
Mobile: +86 18405863271

**DIMENSIONS**



**SPECIFICATIONS**

Item		Specifications
Antenna	Frequency Range	1561.098~1602MHz
	Polarization	RHCP
	Gain	5dBic (Zenith)
	V.S.W.R	<1.5
	Impedance	50 $\Omega$
LNA	Gain	40 $\pm$ 2dB
	Noise Figure	$\leq$ 1.5dB
	Supply Voltage	3~5V DC
	Current Consumption	<15mA
	V.S.W.R	<2.0
Mechanical	Cable	RG174 or others
	Connector	SMA or others
	Radome Material	ASA
	Mounting Method	Screw
Environmental	Operating Temperature	-40 $^{\circ}$ C~+85 $^{\circ}$ C
	Relative Humidity	Up to 95%
	Ingress Protection	IP67 (exclude cable outlet)
	Vibration	10 to 55Hz with 1.5mm amplitude 2hours
	Environmentally Friendly	ROHS Compliant

**Radiation Pattern**

