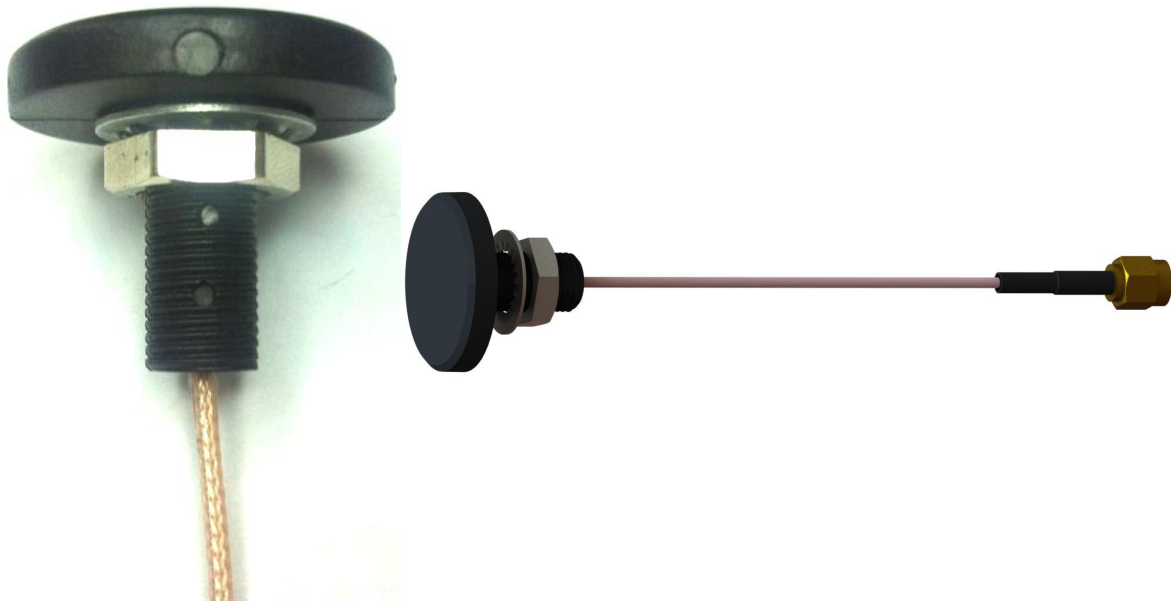
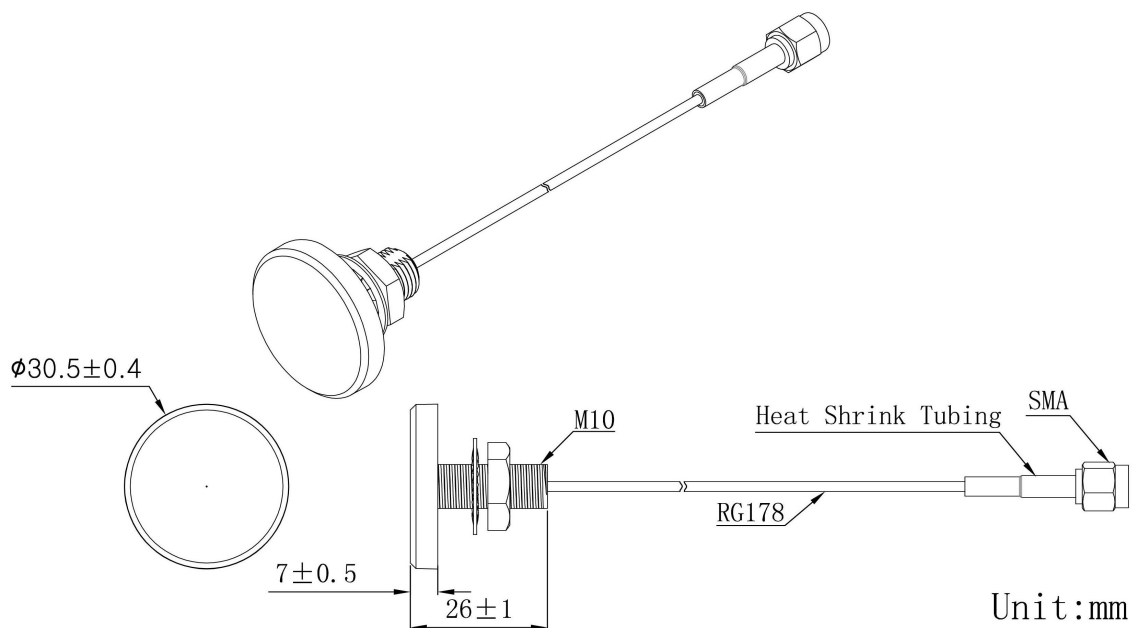


GSM Antenna JCG123



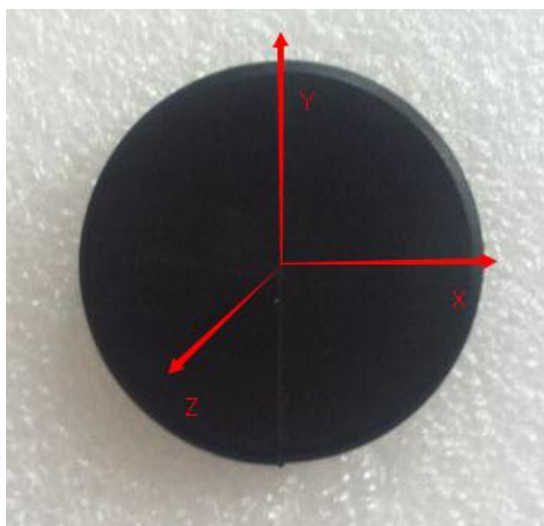
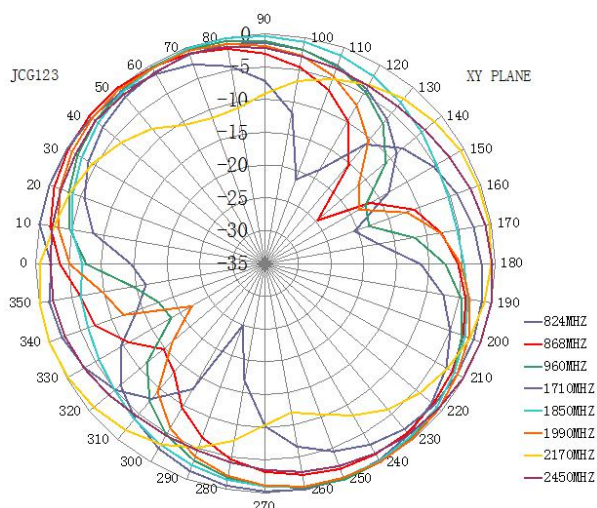
DIMENSIONS



SPECIFICATIONS

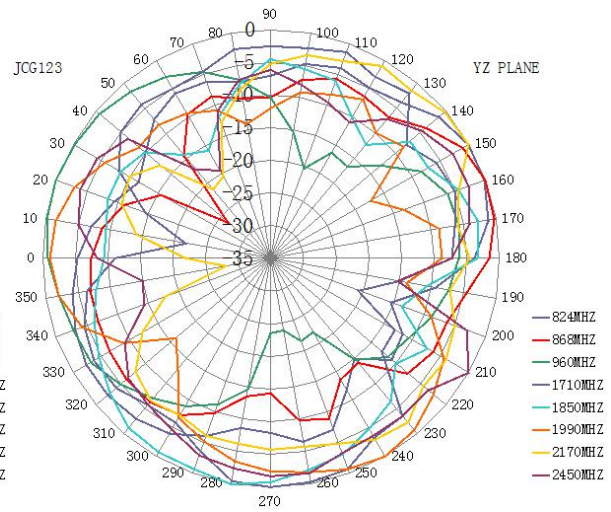
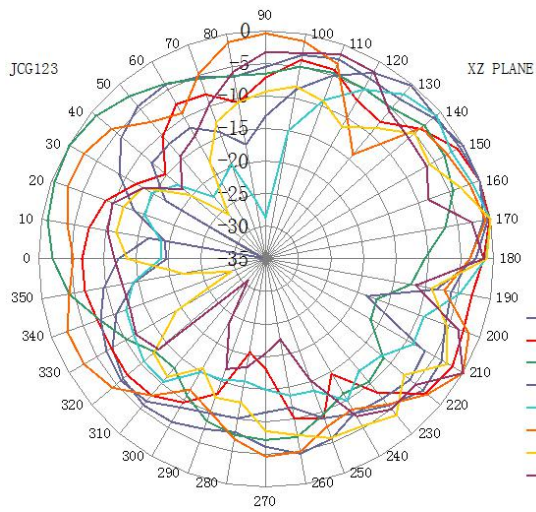
Item	Specifications	
GSM Antenna	Frequency Range	824~960MHz/1710~2170MHz
	Polarization	Linear
	Gain	0.5dBi (Zenith)
	V.S.W.R(min)	<2.0
	Impedance	50Ω
Mechanical	Cable	RG178
	Connector	SMA/MCX/FAKRA or others
	Radome Material	ABS
	Mounting Method	Screw
Environmental	Operating Temperature	-40℃~+85℃
	Relative Humidity	Up to 95%
	Ingress Protection	IP68
	Vibration	10 to 55Hz with 1.5mm amplitude 2hours
	Environmentally Friendly	ROHS Compliant

Radiation Pattern





Jinchang Electron Global Service



JIAXING JINCHANG ELECTRONIC TECHNOLOGY CO.,LTD

Add: 398#,Zhenye Road, South Street, Jiaxing, Zhejiang, China

Http:// www.jinchanggps.com

E-mail:jcgps@vip.163.com

Tel: 86-0573-83692157/83692605/83958637 Fax:86-0573-83958635