

◆ Features

Extra lower impedance with temperature range $-55\sim+105^{\circ}\text{C}$

Load life of 2000~10000 hours

RoHS & REACH compliant, Halogen-free



◆ Specifications

Temperature: $-40^{\circ}\text{C} \sim +105^{\circ}\text{C}$

Load life: 2000~10000hours

Voltage: 63~450V DC

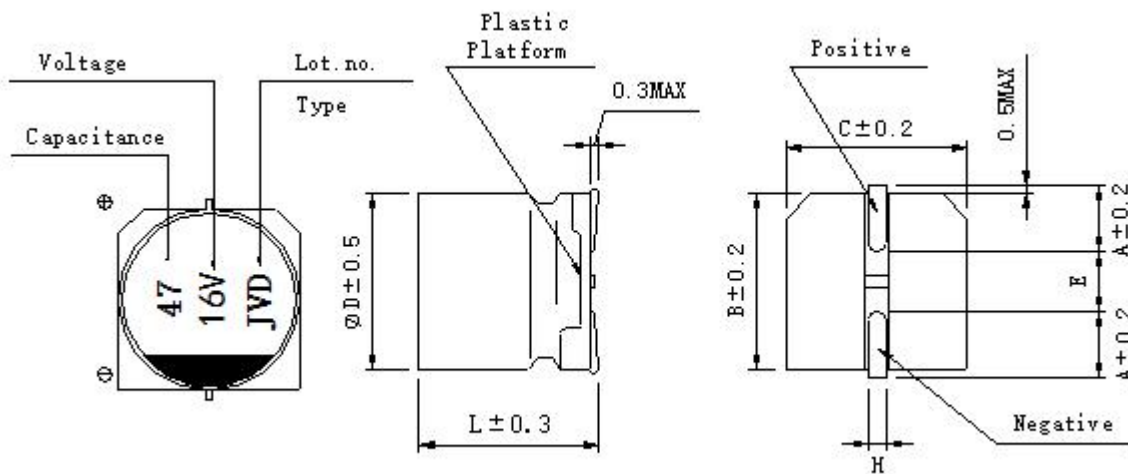
Capacitance: 1 ~ 680uF

Tolerance: $\pm 20\%$ at 120Hz, 20°C

Size: 4x5.4, 5x5.4, 6.3x5.4, 6.3x7.7, 6.3x10.5, 8x10.5, 8x12.5, 10x10.5, 10x12.5, 12.5x13.5, 12.5x16.5, 16x16.5, 18x16.5, 18x21.5mm

◆ Drawing of HJVD Series

1. $\phi 4\sim\phi 6.3$



2. $\phi 8\sim\phi 18$

