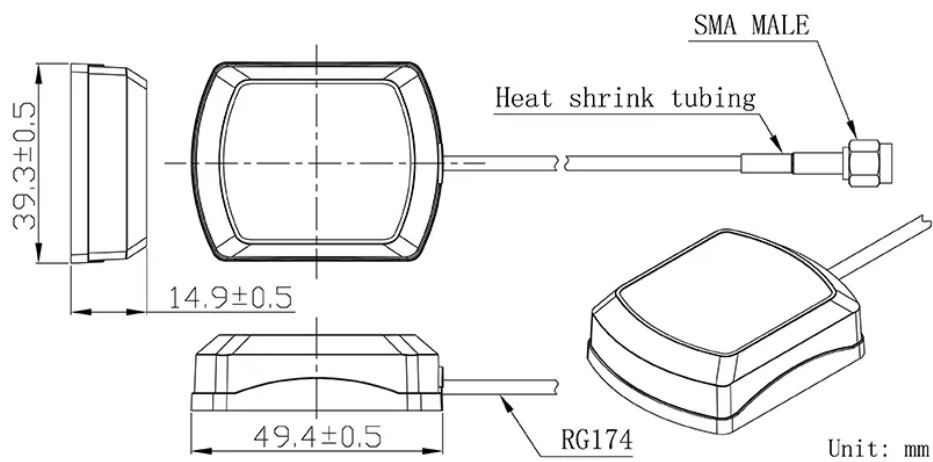


JCW001 Wifi Antenna



DIMENSIONS



SPECIFICATIONS

| Item | Specifications | |
|---------------|--------------------------|----------------------------------------|
| Antenna | Frequency Range | 2400~2483.5MHz |
| | Band Width | 83.5MHz |
| | Polarization | RHCP |
| | Gain | 2dBic (Zenith) |
| | V.S.W.R | < 1.5 |
| | Impedance | 50Ω |
| | Dimension | 25*25*4mm |
| Mechanical | Cable | RG174 or others |
| | Connector | SMA/MCX/FAKRA or others |
| | Radome Material | ABS |
| | Mounting Method | Magnet/Adhesive |
| Environmental | Operating Temperature | -40°C~+85°C |
| | Relative Humidity | Up to 95% |
| | Ingress Protection | IP65~IP66 |
| | Vibration | 10 to 55Hz with 1.5mm amplitude 2hours |
| | Environmentally Friendly | ROHS Compliant |