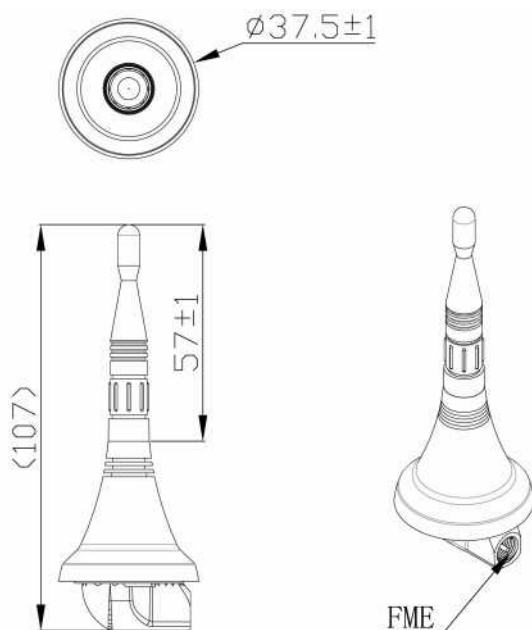


# GSM Antenna

## JCG140



### DIMENSIONS



Unit: mm



Jinchang Electron Global Service

## SPECIFICATIONS

Item	Specifications	
Antenna	Frequency Range	824~960/1710~2170MHz
	Polarization	Linear
	Gain	0dBi (Zenith)
	V.S.W.R	<2.0
	Impedance	50 $\Omega$
	Connector	FME Male
	Radome Material	ABS
	Mounting Method	Screw
Environmental	Operating Temperature	-40°C~+85°C
	Relative Humidity	Up to 95%
	Vibration	10 to 55Hz with 1.5mm amplitude 2hours
	Environmentally Friendly	ROHS Compliant