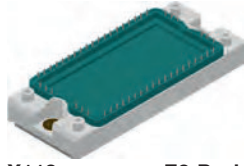
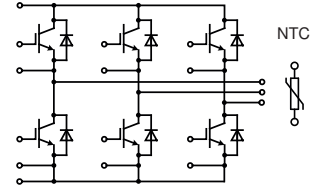


IGBT Modules – Six-Pack configuration



Outline drawings on pages O-30...O-55

See data sheet for pin arrangement

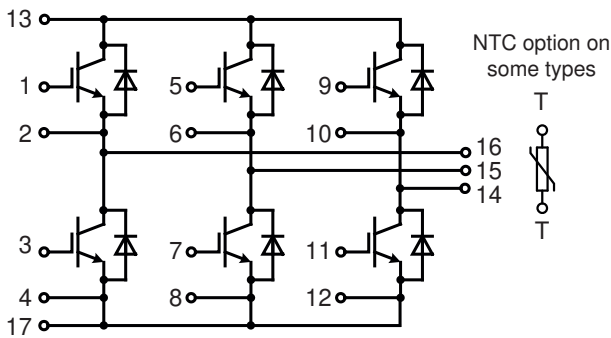


Six-Pack IGBT Modules

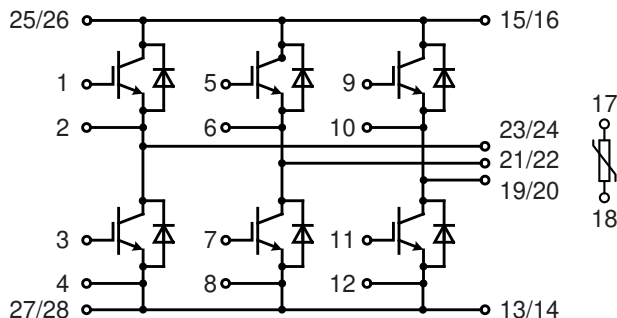
Type	V_{CES}	I_{C25} IGBT $T_C = 25^\circ\text{C}$	I_{C80} IGBT $T_C = 80^\circ\text{C}$	$V_{CE(sat)}$ typ IGBT $T_J = 25^\circ\text{C}$	E_{off} IGBT $T_J = 125^\circ\text{C}$	R_{thJC} IGBT	I_{F25} Diode $T_C = 25^\circ\text{C}$	I_{F80} Diode $T_C = 80^\circ\text{C}$	NTC	Layout
600 V NPT IGBT										
◇ MWI 30-06A7T	600	45	30	1.9	1.0	0.88	36	24	•	A
○ MWI 50-06A7		75	50	1.9	1.7	0.55	72	45		A
○ MWI 75-06A7T		90	60	2.1	2.5	0.44	140	85	•	A
1200 V NPT IGBT										
○ MWI 15-12A7	1200	30	20	1.0	1.8	0.88	25	17		A
MWI 25-12A7		50	35	2.2	2.8	0.55	50	33		A
1200 V XPT™ IGBT										
MIXA 30W1200TED ¹⁾	1200	43	30	1.8	3.0	0.84	44	29	•	B
MIXA 40W1200TED ¹⁾		60	40	1.8	4.1	0.64	44	29	•	B
MIXA 60W1200TED ¹⁾		85	60	1.8	5.5	0.43	88	59	•	B
MIXA 80W1200TED ¹⁾		120	84	1.8	8.3	0.32	135	90	•	B
1200 V X2PT™ IGBT										
➤ MIXG 70W1200TED ¹⁾	1200	105	79	1.7	5.3 (150°C)	0.42	88	59	•	B
1200 V Trench IGBT										
○ MWI 50-12T7T	1200	75	50	1.7	6.5	0.49	110	70	•	B
◇ MITG 50W1200TED		86	65	1.65	4.5 (150°C)	0.55	63	42	•	C
○ MWI 75-12T7T		105	75	1.7	9.5	0.35	150	100	•	B
◇ MITG 100W1200TED		175	130	1.65	9.2 (150°C)	0.25	150	100	•	C

¹⁾ Options: press fit pin version and phase change material; please contact IXYS sales office for availability

Layout A



Layout B



Layout C

