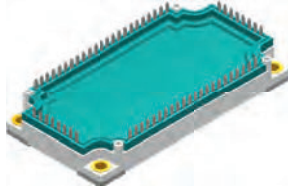


IGBT Modules – CBI Configuration

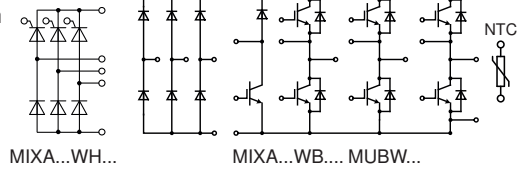
X113

E3-Pack



Outline drawings on pages O-36...O-59

See data sheet for pin arrangement



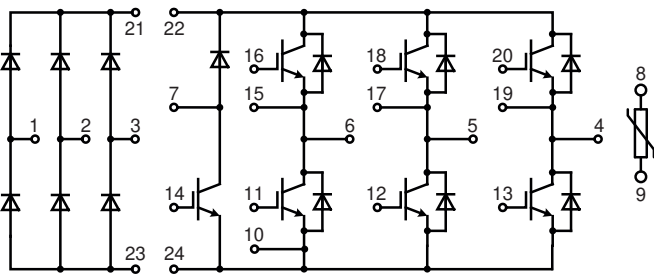
CBI 3 IGBT Modules

Type	Rectifier 3~			Inverter 3~					Brake chopper			Layout
	V_{RRM}	I_{DAVM} $T_H = 80^\circ\text{C}$	R_{thJC} typ.	V_{CES}	I_C $T_C = 25^\circ\text{C}$	I_C $T_C = 80^\circ\text{C}$	$V_{CE(sat)}$ typ.	R_{thJC} typ.	V_{CES}	I_C $T_C = 80^\circ\text{C}$	R_{thJC} typ.	
○ Not for new design ◇ under development	V	A	K/W	V	A	A	V	K/W	V	A	K/W	
600 V NPT IGBT												
MUBW 75-06A8	1600	46	0.94	600	100	65	2.0	0.39	600	35	0.75	A
1200 V NPT IGBT												
MUBW 50-12A8	1600	46	0.94	1200	85	60	2.2	0.35	1200	35	0.55	A
1200 V Trench IGBT												
○ MUBW 75-12T8	1600	50	0.94	1200	105	75	1.7	0.35	1200	35	0.55	A
1200 V XPT™ IGBT												
MIXA 60WB1200TEH	1600	190	0.65	1200	85	60	1.8	0.43	1200	40	0.64	A
MIXA 60WH1200TEH ¹⁾		135	0.65		85	60	1.8	0.43		40	0.64	C
MIXA 80WB1200TEH		265	0.50		120	84	1.8	0.32		40	0.64	A
◇ MIXA 81WB1200TEH		290	0.45		120	84	1.8	0.32		60	0.43	B
1200 V Trench IGBT												
◇ MITG 50WB1200TEH		135	0.65	1200	86	65	1.65	0.55	1200	40	0.64	B
◇ MITG 100WB1200TEH		290	0.45		175	130	1.65	0.25		65	0.55	B
1700 V Trench IGBT												
○ MUBW 50-17T8	2200	120	1.10	1700	74	53	2.0	0.43	1700	34	0.62	A
MUBW 75-17T8		140	0.95		113	80	2.0	0.48		34	0.62	A
◇ MITG 75WB1700TEH		140	0.95		150	115	1.9	0.25		53	0.43	B

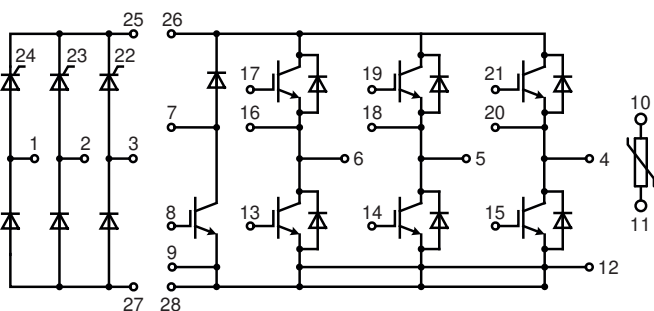
¹⁾ Input rectifier half-controlled

²⁾ Options: press fit pin version and phase change material; please contact IXYS sales office for availability

Layout A



Layout C



Layout B

