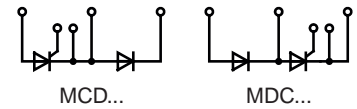
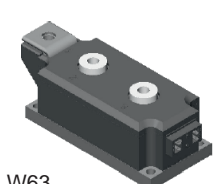

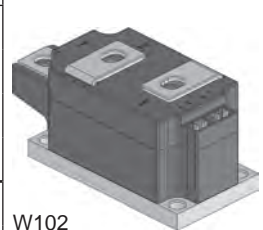



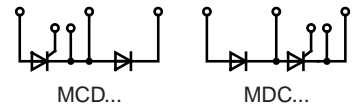
Thyristor / Diode Modules



IXYS UK Westcode Ltd. has UL Certification for most modules (Underwriters Laboratories Inc). See the UL Listing.

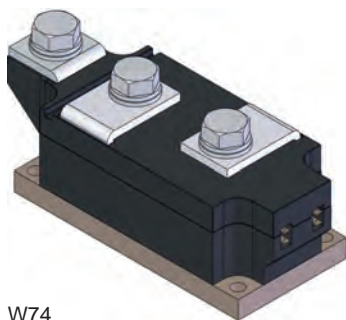
Part No.	V_{RRM}	I_{TAV}	@ T_C	I_{TRMS}	I_{TSM}	V_{TO}	r_T	T_{VJM}	per Die		Fig. No.	Package style Outline drawings on page O-01...O-35
	V_{DRM}								R_{thJC}	R_{thCH}		
	V	A	°C	A	A	V	mΩ	°C	K/W	K/W		
MCD160-30io3	3000	170	85	385	3650	1.200	2.300	125	0.110	0.0400	W102	
MCD160-36io3	3600	170	85	385	3650	1.200	2.300	125	0.110	0.0400	W102	
MDC160-30io3	3000	170	85	385	3650	1.200	2.300	125	0.110	0.0400	W102	
MDC160-36io3	3600	170	85	385	3650	1.200	2.300	125	0.110	0.0400	W102	
MCD220-28io3	2800	235	85	543	5000	0.900	1.100	125	0.110	0.0400	W102	
MDC220-28io3	2800	235	85	543	5000	0.900	1.100	125	0.110	0.0400	W102	
MCD265-24io3	2400	280	85	655	6900	0.800	0.700	125	0.110	0.0400	W102	
MDC265-24io3	2400	280	85	655	6900	0.800	0.700	125	0.110	0.0400	W102	
MCD320-30io2	3000	327	85	765	5000	1.150	0.800	125	0.065	0.0200	W74	
MCD320-36io2	3600	327	85	765	5000	1.150	0.800	125	0.065	0.0200	W74	
MDC320-30io2	3000	327	85	765	5000	1.150	0.800	125	0.065	0.0200	W74	
MDC320-36io2	3600	327	85	765	5000	1.150	0.800	125	0.065	0.0200	W74	
MCD325-14io3	1400	345	85	785	7650	0.750	0.500	125	0.110	0.0400	W102	
MCD325-18io3	1800	345	85	785	7650	0.750	0.500	125	0.110	0.0400	W102	
MDC325-14io3	1400	345	85	785	7650	0.750	0.500	125	0.110	0.0400	W102	
MDC325-18io3	1800	345	85	785	7650	0.750	0.500	125	0.110	0.0400	W102	
MCD380-28io2	2800	395	85	620	8100	1.000	0.650	125	0.062	0.0200	W74	
MDC380-28io2	2800	395	85	620	8100	1.000	0.650	125	0.062	0.0200	W74	
MCD431-20io2	2000	429	85	1020	10900	1.000	0.410	125	0.062	0.0200	W74	
MCD431-22io2	2200	429	85	1020	10900	1.000	0.410	125	0.062	0.0200	W74	
MCD431-24io2	2400	429	85	1020	10900	1.000	0.410	125	0.062	0.0200	W74	
MDC431-20io2	2000	429	85	1020	10900	1.000	0.410	125	0.062	0.0200	W74	
MDC431-22io2	2200	429	85	1020	10900	1.000	0.410	125	0.062	0.0200	W74	
MDC431-24io2	2400	429	85	1020	10900	1.000	0.410	125	0.062	0.0200	W74	
MCD500-14io1	1400	500	89	1294	16500	0.820	0.270	125	0.062	0.0200	W63	
MCD500-18io1	1800	500	89	1294	16500	0.820	0.270	125	0.062	0.0200	W63	
MCD500-22io1	2200	500	80	1071	14000	0.880	0.460	125	0.062	0.0200	W63	
MDC500-14io1	1400	500	89	1294	16500	0.820	0.270	125	0.062	0.0200	W63	
MDC500-18io1	1800	500	89	1294	16500	0.820	0.270	125	0.062	0.0200	W63	
MDC500-22io1	2200	500	80	1071	14000	0.880	0.460	125	0.062	0.0200	W63	
MCD501-12io2	1200	503	85	1195	14500	0.850	0.300	125	0.062	0.0200	W74	
MCD501-14io2	1400	503	85	1195	14500	0.850	0.300	125	0.062	0.0200	W74	
MCD501-16io2	1600	503	85	1195	14500	0.850	0.300	125	0.062	0.0200	W74	
MCD501-18io2	1800	503	85	1195	14500	0.850	0.300	125	0.062	0.0200	W74	
MDC501-12io2	1200	503	85	1195	14500	0.850	0.300	125	0.062	0.0200	W74	
MDC501-14io2	1400	503	85	1195	14500	0.850	0.300	125	0.062	0.0200	W74	
MDC501-16io2	1600	503	85	1195	14500	0.850	0.300	125	0.062	0.0200	W74	
MDC501-18io2	1800	503	85	1195	14500	0.850	0.300	125	0.062	0.0200	W74	
MCD550-12io1	1200	550	85	1318	18000	0.839	0.244	125	0.062	0.0200	W63	
MCD550-16io1	1600	550	85	1318	18000	0.839	0.244	125	0.062	0.0200	W63	

Thyristor / Diode Modules

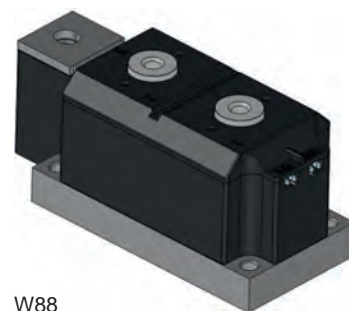


IXYS UK Westcode Ltd. has UL Certification for most modules (Underwriters Laboratories Inc). See the UL Listing.

Part No.	V_{RRM}	I_{TAV}	@ T_C	I_{TRMS}	I_{TSM} 125°C 10 ms	V_{TO}	r_T	T_{VJM}	per Die		Fig. No.	Package style Outline drawings on page O-01...O-35
	V_{DRM}								R_{thJC}	R_{thCH}		
	V								A	K/W		
MDC550-12io1	1200	550	85	1318	18000	0.839	0.244	125	0.062	0.0200	W63	
MDC550-16io1	1600	550	85	1318	18000	0.839	0.244	125	0.062	0.0200	W63	
MCD552-12io2	1200	550	85	1300	15800	0.770	0.259	125	0.062	0.0200	W74	
MCD552-14io2	1400	550	85	1300	15800	0.770	0.259	125	0.062	0.0200	W74	
MCD552-16io2	1600	550	85	1300	15800	0.770	0.259	125	0.062	0.0200	W74	
MDC552-12io2	1200	550	85	1300	15800	0.770	0.259	125	0.062	0.0200	W74	
MDC552-14io2	1400	550	85	1300	15800	0.770	0.259	125	0.062	0.0200	W74	
MDC552-16io2	1600	550	85	1300	15800	0.770	0.259	125	0.062	0.0200	W74	
MCD500-30io7	3000	500	85	1181	16200	1.079	0.422	125	0.050	0.0160	W88	
MCD500-36io7	3600	500	85	1181	16200	1.079	0.422	125	0.050	0.0160	W88	
MDC500-30io7	3000	500	85	1181	16200	1.079	0.422	125	0.050	0.0160	W88	
MDC500-36io7	3600	500	85	1181	16200	1.079	0.422	125	0.050	0.0160	W88	
MCD580-28io7	2800	581	85	1372	18900	0.926	0.313	125	0.050	0.0160	W88	
MDC580-28io7	2800	581	85	1372	18900	0.926	0.313	125	0.050	0.0160	W88	
MCD650-24io7	2400	646	85	1542	22100	0.874	0.227	125	0.050	0.0160	W88	
MDC650-24io7	2400	646	85	1542	22100	0.874	0.227	125	0.050	0.0160	W88	
MCD720-14io7	1400	719	85	1633	25200	0.823	0.241	125	0.050	0.0160	W88	
MCD720-18io7	1800	719	85	1633	25200	0.823	0.241	125	0.050	0.0160	W88	
MDC720-14io7	1400	719	85	1633	25200	0.823	0.241	125	0.050	0.0160	W88	
MDC720-18io7	1800	719	85	1633	25200	0.823	0.241	125	0.050	0.0160	W88	



W74



W88