

## ■ For Thermal Sensing

Products which are scheduled to be discontinued. Not recommended for new designs.

This series of Posi-R as a temperature indicator is small in size and little in calorific capacity. It is so useful for indicating any overheating of power transistors and thyristors in the power sources.

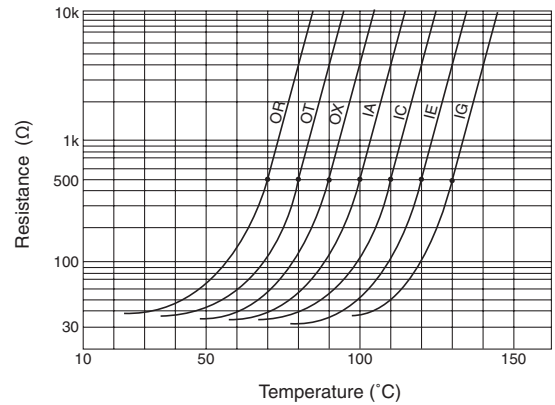
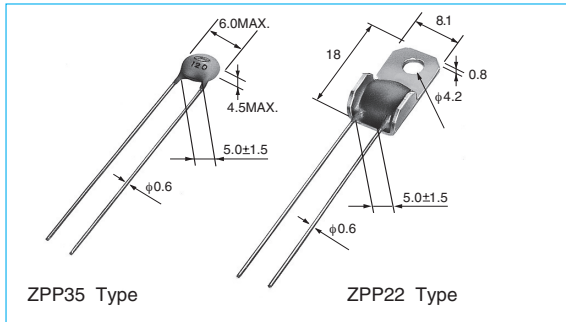


Fig. 12 Resistance / Temperature Characteristics

Type No.		Temperature Indication				Max. Operating Voltage	Max. Inrush Current
ZPP35 Type	ZPP22 Type	25°C	Tr(°C)	Tr-5°C	Tr+5°C		
ZPP350R500E	ZPP220R501E	100Ω or less	70	500Ω or less	500Ω or more	16VDC	100mA
ZPP350T500E	ZPP220T501E		80				
ZPP350X500E	ZPP220X501E		90				
ZPP351A500E	ZPP221A501E		100				
ZPP351C500E	ZPP221C501E		110				
ZPP351E500E	ZPP221E501E		120				
ZPP351G500E	ZPP221G501E		130				

※ The current flowed in a Posi-R shall be within the range lest it should generate heat.