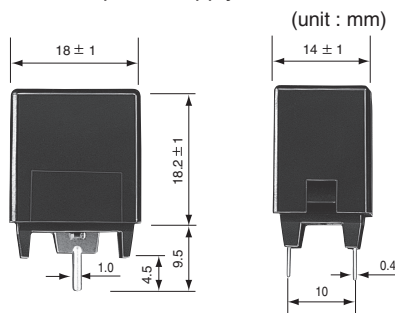


In rush current limitation

A Posi-R for In rush current limitations used for various power supply circuits.

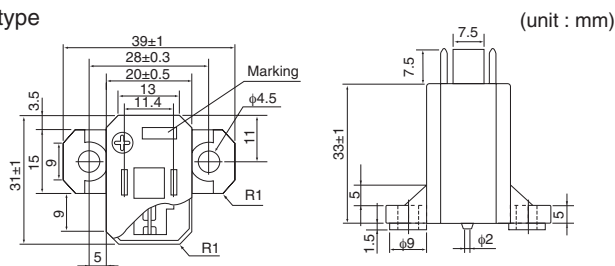
● case type



■ Specification

Type No.	Initial Resistance (at 25°C)	Rated Voltage (Vrms)	Max. Operating Voltage (Vrms)
ZPM0RCH330A250	33Ω ±25%	220 / 240	276
ZPR0RCH400A250	40Ω ±25%		
ZPR0RCH660A250	66Ω ±25%		
ZPR0RCH750A250	75Ω ±25%		
ZPR0RCE820A250	82Ω ±25%		
ZPR0RCE101A250	100Ω ±25%		

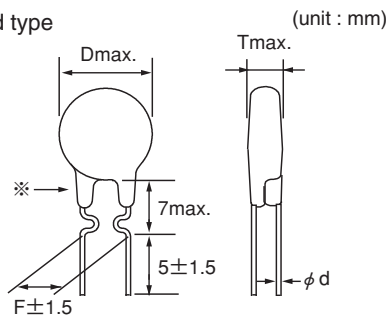
● tab terminal type



■ Specification

Type No.	Initial Resistance (at 25°C)	Max. Operating Voltage (Vrms)	Terminal
ZPR0YCE400A300	40Ω ±25%	300	#187 Tab Terminals
ZPR0YCE101A500	100Ω ^{+30%} / _{-20%}	500	

● lead type



Type No.	Initial Resistance (at 25°C)	Max. Operating Voltage (Vrms)	(mm)			
			D	T	F	d
ZPC56CE390E	39Ω ±25%	144	9.5	5.5	5.0	0.6
ZPC54CH121E	120Ω ±25%	276	7.8	6	5.0	0.5
ZPC54CH181E	180Ω ±25%	276	7.8	6	5.0	0.5
ZPC5JCG121E	120Ω ±25%	276	15	6	10.0	0.6

※ This would not affect the function, internal element may be exposed.