

# AVX Wire-to-Wire Connectors



Version 13.8

**AVX**  
A KYOCERA GROUP COMPANY

# Table of Contents



---

<b>THRU-WIRE CONNECTORS</b> .....	<b>2-8</b>
18-26 AWG 1 Way Poke Home – Thru Wire.....	3
18-26 AWG 2 Way Poke Home – Thru Wire.....	4
18-26 AWG 3 Way Poke Home – Thru Wire.....	5
18-26 AWG 4 Way Poke Home – Thru Wire.....	6
18-26 AWG 6 Way Poke Home – Thru Wire.....	7
18-26 AWG 8 Way Poke Home – Thru Wire.....	8
<b>JUNCTION BOX CONNECTORS</b> .....	<b>9-12</b>
18-26 AWG 4 Way Poke Home – Junction Box.....	10
18-26 AWG 6 Way Poke Home – Junction Box.....	11
18-26 AWG 8 Way Poke Home – Junction Box.....	12
<b>WIRE INSERTION/REMOVAL PROCESS</b> .....	<b>13</b>
<b>ADHESIVE MOUNTING TAPE</b> .....	<b>14</b>
<b>OVERVIEW: WIRE-TO-WIRE, WIRE-TO-BOARD &amp; BOARD-TO-BOARD PRODUCTS</b> .....	<b>15-17</b>

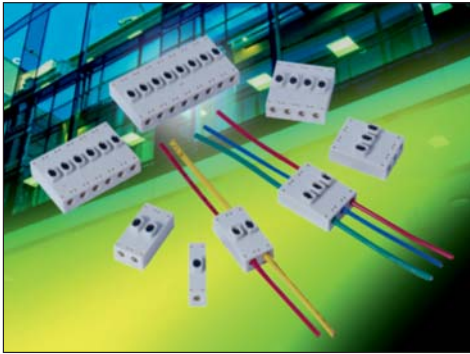
NOTICE: Specifications are subject to change without notice. Contact your nearest AVX Sales Office for the latest specifications. All statements, information and data given herein are believed to be accurate and reliable, but are presented without guarantee, warranty, or responsibility of any kind, expressed or implied. Statements or suggestions concerning possible use of our products are made without representation or warranty that any such use is free of patent infringement and are not recommendations to infringe any patent. The user should not assume that all safety measures are indicated or that other measures may not be required. Specifications are typical and may not apply to all applications.



# Poke Home – Thru-Wire



## Series 9286



Wire-to-Wire connectors have been used in the industrial market for years with traditional 2-Piece (plug and socket) connector systems which require crimp and poke wire terminations to connect electrical or electronic components. In the general wiring market (2-3 wires) there are a number of connector styles available, however, they are limited in sizes, expanded wire gauges and the ability to reuse them when repair or replacement is needed. Based on the existing success of “Poke Home” wire-to-board connectors, AVX has developed a new family of wire-to-wire connectors to meet the cost, flexibility and ease-of-use targets in industrial wiring applications.

The 9286 series of Thru-Wire connectors provides a high spring force Beryllium Copper contact system that uses simple push button activation to insert and remove individual stripped wires in the connection process. There is a forward and aft shrouded (to prevent accidental activation) push button for each wire connection that can be operated individually or simultaneously with a simple plastic tool or ball point pen tip. Up to eight wires can be electrically connected in a single connector body which will support any combination of wire gauges from 18AWG up to 26 AWG. Wires can be removed or replaced up to 5 times so there is no need to replace the connector in a new installation.

### APPLICATIONS

- Industrial/Machine Control; motors, solenoids, PLC’s, pumps, valves, sensors, fans...
- Commercial/Building; fixtures, fire, security, surveillance, blinds, sensors, controls...
- Commercial/Industrial LED; retail, office, manufacturing, signage, displays...
- Application notes; refer to 201-01-135

### FEATURES AND BENEFITS

- High spring force top contact provides a lance type retention to capture and retain the wire
- Shrouded dual push button activation for easy wire insertion/removal
- Accepts 18-26AWG Solid and Stranded wires; any combination
- Expanded size offering to maximize application potential; 1, 2, 3, 4, 6 & 8 positions
- Optional mounting tape to secure in panel mounting applications
- Molded in position numbers and schematic for easy identification

### ELECTRICAL

- Current Rating: 8 Amps / Contact
- Voltage Rating: 300 VAC

### ENVIRONMENTAL

- Operating Temperature: -40°C to +125°C

### MECHANICAL

- Insulator Material: Glass-Filled Nylon 46; UL94V0
- Contact Material: Beryllium Copper / Phosphor Bronze
- Plating: Tin over Nickel
- Replacibility: 5 Cycles

### HOW TO ORDER

<b>00</b>	<b>9286</b>	<b>00X</b>																					
Prefix	Series	Number of Ways																					
		<table border="1"> <thead> <tr> <th>Code</th> <th>No of Ways</th> <th>Details</th> </tr> </thead> <tbody> <tr> <td>001</td> <td>1</td> <td>Page 3</td> </tr> <tr> <td>002</td> <td>2</td> <td>Page 4</td> </tr> <tr> <td>003</td> <td>3</td> <td>Page 5</td> </tr> <tr> <td>004</td> <td>4</td> <td>Page 6</td> </tr> <tr> <td>006</td> <td>6</td> <td>Page 7</td> </tr> <tr> <td>008</td> <td>8</td> <td>Page 8</td> </tr> </tbody> </table>	Code	No of Ways	Details	001	1	Page 3	002	2	Page 4	003	3	Page 5	004	4	Page 6	006	6	Page 7	008	8	Page 8
Code	No of Ways	Details																					
001	1	Page 3																					
002	2	Page 4																					
003	3	Page 5																					
004	4	Page 6																					
006	6	Page 7																					
008	8	Page 8																					

	<b>021</b>									
	Wire Size									
		<table border="1"> <thead> <tr> <th>Code</th> <th>Wire Gauge</th> <th>Max Conductor</th> <th>Max Insulation</th> </tr> </thead> <tbody> <tr> <td>021</td> <td>18 to 26 AWG</td> <td>1.05mm Diameter</td> <td>2.10mm Diameter</td> </tr> </tbody> </table>	Code	Wire Gauge	Max Conductor	Max Insulation	021	18 to 26 AWG	1.05mm Diameter	2.10mm Diameter
Code	Wire Gauge	Max Conductor	Max Insulation							
021	18 to 26 AWG	1.05mm Diameter	2.10mm Diameter							

	<b>9</b>	<b>06</b>
	Color Options	Plating Option
	9 = UL White	06 = Pure Tin all over



Certification: UL File #E90723

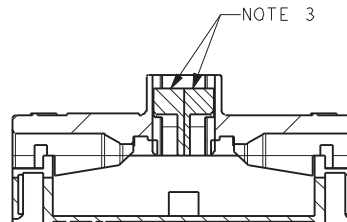
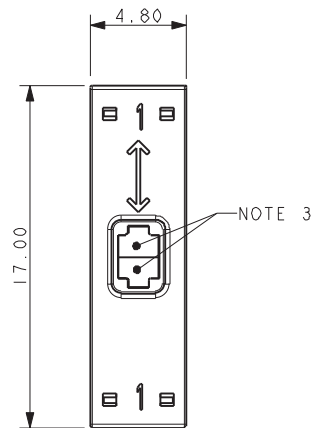


# Poke Home – Thru-Wire

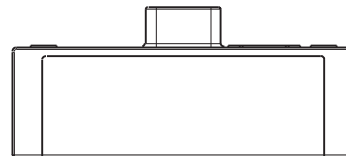
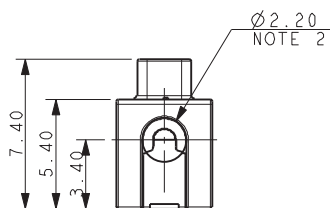


Series 9286

## 18-26 AWG 1 WAY POKE HOME – THRU WIRE



SECTION ON A-A



NOTE 8

### PACKING DETAILS

Pack 400 pieces in a clear plastic bag.

#### NOTES:

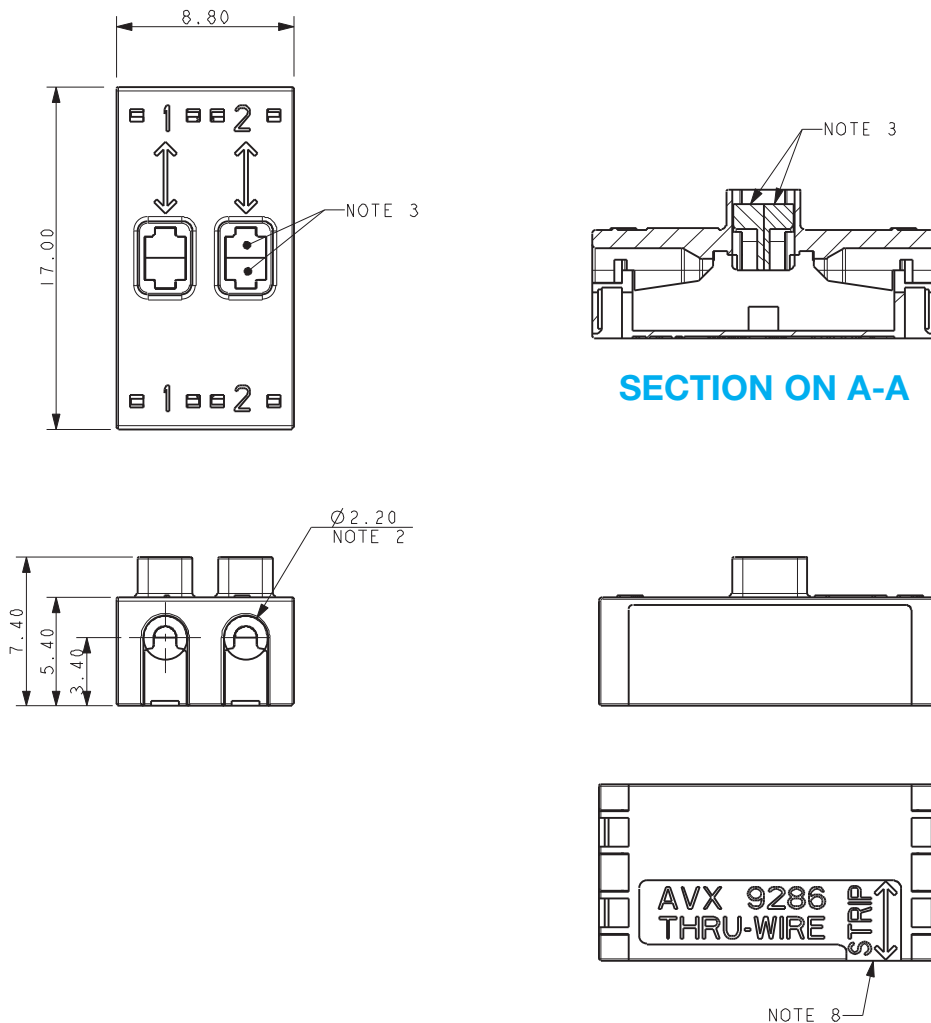
1. 1 WAY WIRE TO WIRE "POKE HOME" CONNECTOR, BUTTON OPERATED.
2. WIRE SIZES 18-26 AWG, MAXIMUM INSULATION DIAMETER 2.10MM.
3. SPLIT BUTTON ALLOWS THE WIRES TO BE INSERTED/WITHDRAWN INDEPENDENTLY.
4. INSULATION MATERIAL: NYLON 46, GLASS FILLED, UL94 V-0. COLOR SEE PAGE 2.
5. CONTACT MATERIAL: TIN PLATED COPPER ALLOY.
6. FOR FULL SPECIFICATION REFER TO ELCO SPECIFICATION 201-01-132.  
FOR APPLICATION NOTES REFER TO ELCO SPECIFICATION 201-01-135.
7. GENERAL TOLERANCE  $\pm 0.20$ MM.
8. WIRE STRIP LENGTH GUIDE, SEE PAGE 13.
9. ADHESIVE STRIP FOR PANEL MOUNTING REFER TO PAGE 14.
10. FOR UL PRODUCT CODES UL REFERENCE E90723 (US AND CANADA).

# Poke Home – Thru-Wire



Series 9286

## 18-26 AWG 2 WAY POKE HOME – THRU WIRE



### PACKING DETAILS

Pack 400 pieces in a clear plastic bag.

#### NOTES:

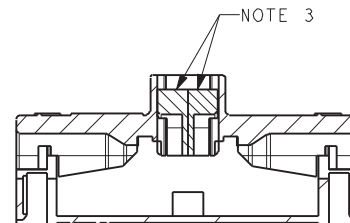
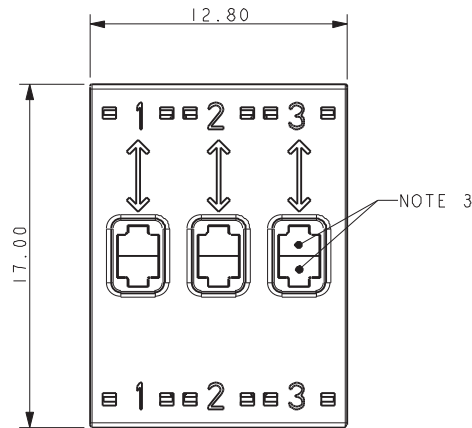
1. 2 WAY WIRE TO WIRE "POKE HOME" CONNECTOR, BUTTON OPERATED.
2. WIRE SIZES 18-26 AWG, MAXIMUM INSULATION DIAMETER 2.10MM.
3. SPLIT BUTTON ALLOWS THE WIRES TO BE INSERTED/WITHDRAWN INDEPENDENTLY.
4. INSULATION MATERIAL: NYLON 46, GLASS FILLED, UL94 V-0. COLOR SEE PAGE 2.
5. CONTACT MATERIAL: TIN PLATED COPPER ALLOY.
6. FOR FULL SPECIFICATION REFER TO ELCO SPECIFICATION 201-01-132.  
FOR APPLICATION NOTES REFER TO ELCO SPECIFICATION 201-01-135.
7. GENERAL TOLERANCE  $\pm 0.20$ MM.
8. WIRE STRIP LENGTH GUIDE, SEE PAGE 13.
9. ADHESIVE STRIP FOR PANEL MOUNTING REFER TO PAGE 14.
10. FOR UL PRODUCT CODES UL REFERENCE E90723 (US AND CANADA).

# Poke Home – Thru-Wire

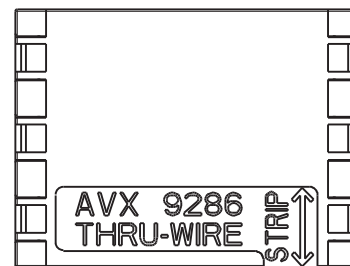
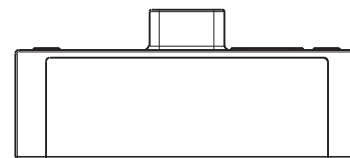
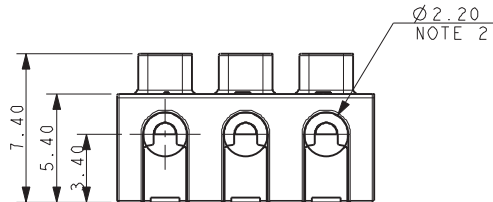


Series 9286

## 18-26 AWG 3 WAY POKE HOME – THRU WIRE



SECTION ON A-A



NOTE 8

### PACKING DETAILS

Pack 400 pieces in a clear plastic bag.

#### NOTES:

1. 3 WAY WIRE TO WIRE "POKE HOME" CONNECTOR, BUTTON OPERATED.
2. WIRE SIZES 18-26 AWG, MAXIMUM INSULATION DIAMETER 2.10MM.
3. SPLIT BUTTON ALLOWS THE WIRES TO BE INSERTED/WITHDRAWN INDEPENDENTLY.
4. INSULATION MATERIAL: NYLON 46, GLASS FILLED, UL94 V-0. COLOR SEE PAGE 2.
5. CONTACT MATERIAL: TIN PLATED COPPER ALLOY.
6. FOR FULL SPECIFICATION REFER TO ELCO SPECIFICATION 201-01-132.  
FOR APPLICATION NOTES REFER TO ELCO SPECIFICATION 201-01-135.
7. GENERAL TOLERANCE  $\pm 0.20$ MM.
8. WIRE STRIP LENGTH GUIDE, SEE PAGE 13.
9. ADHESIVE STRIP FOR PANEL MOUNTING REFER TO PAGE 14.
10. FOR UL PRODUCT CODES UL REFERENCE E90723 (US AND CANADA).

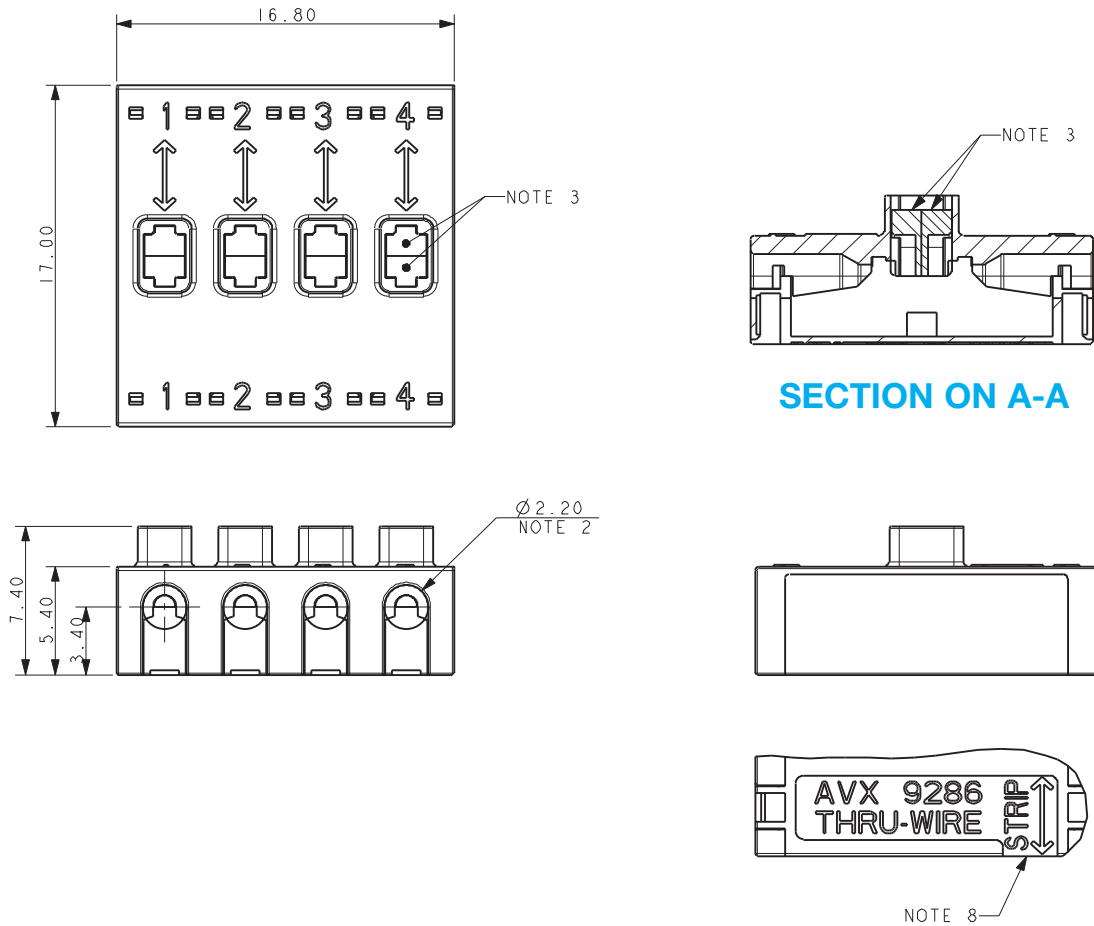


# Poke Home – Thru-Wire



Series 9286

## 18-26 AWG 4 WAY POKE HOME – THRU WIRE



### PACKING DETAILS

Pack 400 pieces in a clear plastic bag.

#### NOTES:

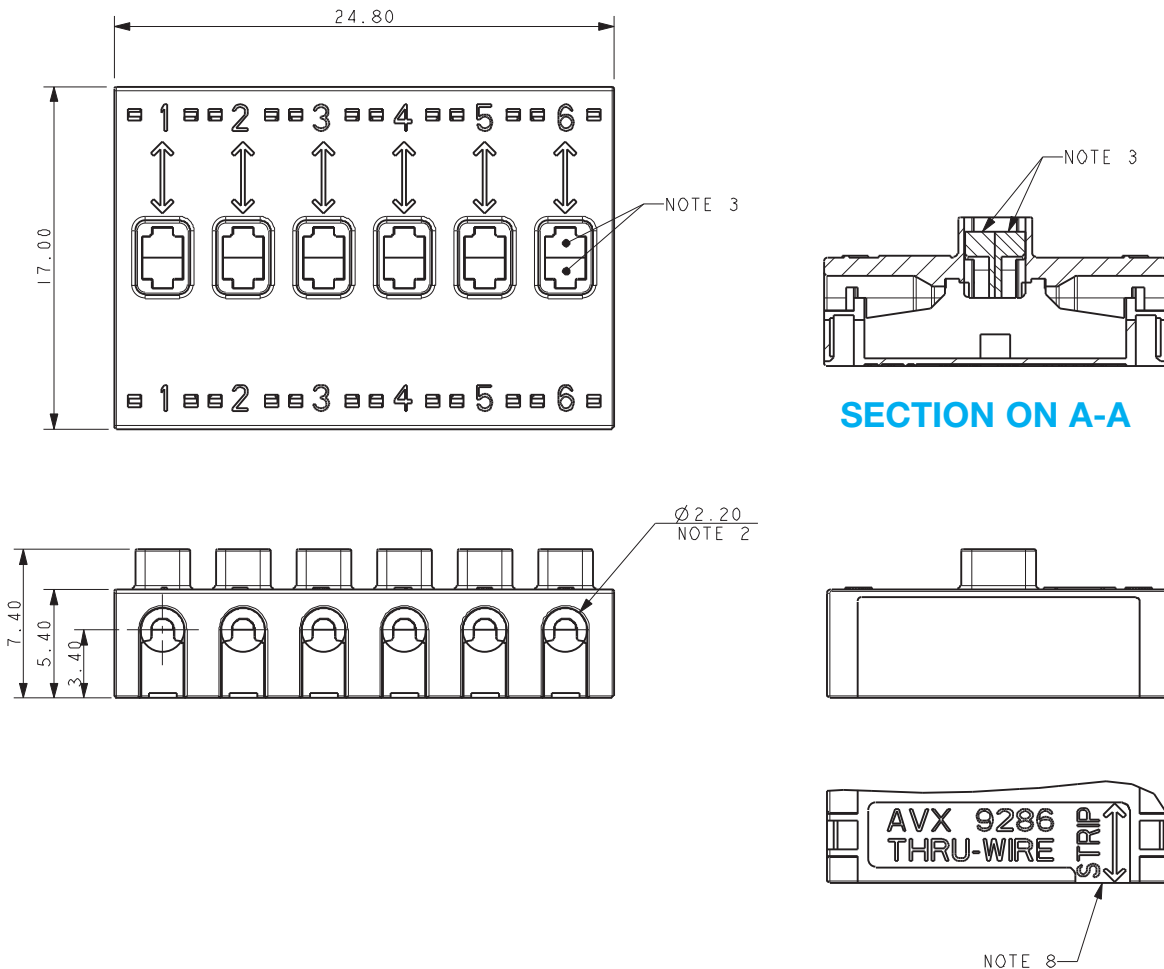
1. 4 WAY WIRE TO WIRE "POKE HOME" CONNECTOR, BUTTON OPERATED.
2. WIRE SIZES 18-26 AWG, MAXIMUM INSULATION DIAMETER 2.10MM.
3. SPLIT BUTTON ALLOWS THE WIRES TO BE INSERTED/WITHDRAWN INDEPENDENTLY.
4. INSULATION MATERIAL: NYLON 46, GLASS FILLED, UL94 V-0. COLOR SEE PAGE 2.
5. CONTACT MATERIAL: TIN PLATED COPPER ALLOY.
6. FOR FULL SPECIFICATION REFER TO ELCO SPECIFICATION 201-01-132.  
FOR APPLICATION NOTES REFER TO ELCO SPECIFICATION 201-01-135.
7. GENERAL TOLERANCE  $\pm 0.20$ MM.
8. WIRE STRIP LENGTH GUIDE, SEE PAGE 13.
9. ADHESIVE STRIP FOR PANEL MOUNTING REFER TO PAGE 14.
10. FOR UL PRODUCT CODES UL REFERENCE E90723 (US AND CANADA).

# Poke Home – Thru-Wire



Series 9286

## 18-26 AWG 6 WAY POKE HOME – THRU WIRE



### PACKING DETAILS

Pack 400 pieces in a clear plastic bag.

#### NOTES:

1. 6 WAY WIRE TO WIRE "POKE HOME" CONNECTOR, BUTTON OPERATED.
2. WIRE SIZES 18-26 AWG, MAXIMUM INSULATION DIAMETER 2.10MM.
3. SPLIT BUTTON ALLOWS THE WIRES TO BE INSERTED/WITHDRAWN INDEPENDENTLY.
4. INSULATION MATERIAL: NYLON 46, GLASS FILLED, UL94 V-0. COLOR SEE PAGE 2.
5. CONTACT MATERIAL: TIN PLATED COPPER ALLOY.
6. FOR FULL SPECIFICATION REFER TO ELCO SPECIFICATION 201-01-132.  
FOR APPLICATION NOTES REFER TO ELCO SPECIFICATION 201-01-135.
7. GENERAL TOLERANCE  $\pm 0.20$ MM.
8. WIRE STRIP LENGTH GUIDE, SEE PAGE 13.
9. ADHESIVE STRIP FOR PANEL MOUNTING REFER TO PAGE 14.
10. FOR UL PRODUCT CODES UL REFERENCE E90723 (US AND CANADA).



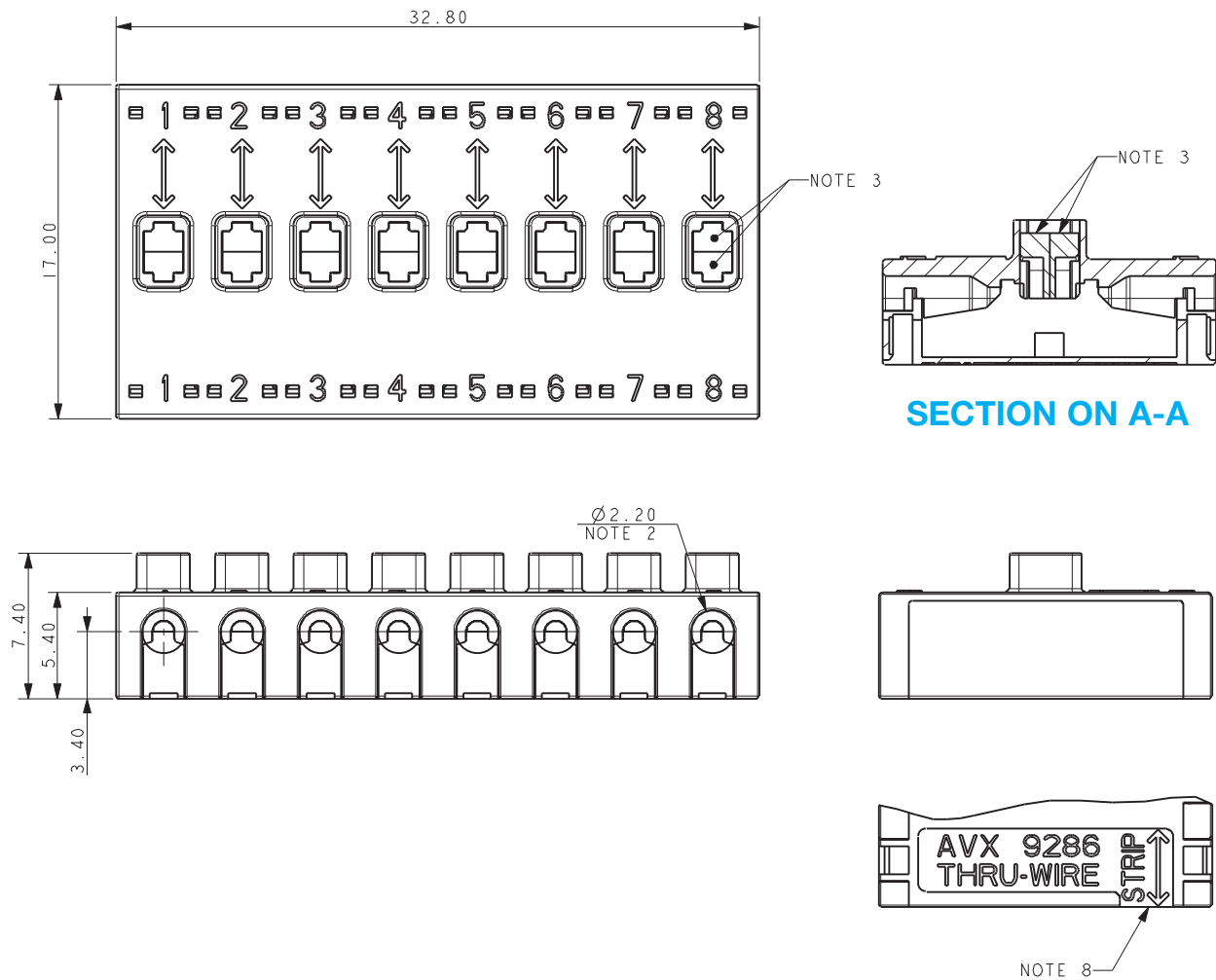


# Poke Home – Thru-Wire



Series 9286

## 18-26 AWG 8 WAY POKE HOME – THRU WIRE



### PACKING DETAILS

Pack 400 pieces in a clear plastic bag.

#### NOTES:

1. 8 WAY WIRE TO WIRE "POKE HOME" CONNECTOR, BUTTON OPERATED.
2. WIRE SIZES 18-26 AWG, MAXIMUM INSULATION DIAMETER 2.10MM.
3. SPLIT BUTTON ALLOWS THE WIRES TO BE INSERTED/WITHDRAWN INDEPENDENTLY.
4. INSULATION MATERIAL: NYLON 46, GLASS FILLED, UL94 V-0. COLOR SEE PAGE 2.
5. CONTACT MATERIAL: TIN PLATED COPPER ALLOY.
6. FOR FULL SPECIFICATION REFER TO ELCO SPECIFICATION 201-01-132.  
FOR APPLICATION NOTES REFER TO ELCO SPECIFICATION 201-01-135.
7. GENERAL TOLERANCE  $\pm 0.20$ MM.
8. WIRE STRIP LENGTH GUIDE, SEE PAGE 13.
9. ADHESIVE STRIP FOR PANEL MOUNTING REFER TO PAGE 14.
10. FOR UL PRODUCT CODES UL REFERENCE E90723 (US AND CANADA).

# Poke Home – Junction Box



## Series 9286



Wire-to-Wire connectors have been used in the industrial market for years with traditional 2-Piece (plug and socket) connector systems which require crimp and poke wire terminations to connect electrical or electronic components. In the general wiring market (2-3 wires) there are a number of connector styles available, however, they are limited in sizes, expanded wire gauges and the ability to reuse them when repair or replacement is needed. Based on the existing success of “Poke Home” wire-to-board connectors, AVX has developed a new family of wire-to-wire connectors to meet the cost, flexibility and ease-of-use targets in industrial wiring applications.

The 9286 series of Junction Box connectors provide a high spring force Beryllium Copper contact system that uses simple push button activation to insert and remove individual stripped wires in the connection process. There is a forward and aft shrouded (to prevent accidental activation) push button for each wire connection that can be operated individually or simultaneously with a simple plastic tool or ball point pen tip. This connector family has been designed to bring a single wire in and then have multiple output (bus structure) wires of the same power or signal. Four, Six or Eight wires can be electrically connected together in a single connector body which will support any combination of wire gauges from 18AWG up to 26 AWG. Wires can be removed or replaced up to 5 times so there is no need to replace the connector in a new installation.

### APPLICATIONS

- Industrial/Machine Control; motors, solenoids, PLC's, pumps, valves, sensors, fans...
- Commercial/Building; fixtures, fire, security, surveillance, blinds, sensors, controls...
- Commercial/Industrial LED; retail, office, manufacturing, signage, displays...
- Application notes; refer to 201-01-135

### FEATURES AND BENEFITS

- High spring force top contact provides a lance type retention to capture and retain the wire
- Shrouded dual push button activation for easy wire insertion/removal
- Accepts 18-26AWG Solid and Stranded wires; any combination
- Expanded size offering to maximize application potential; 4, 6 or 8 positions
- Optional mounting tape to secure in panel mounting applications
- Molded in position numbers and schematic for easy identification

### ELECTRICAL

- Current Rating: 10 Amps total
- Voltage Rating: 300v AC

### ENVIRONMENTAL

- Operating Temperature: -40°C to +125°C

### MECHANICAL

- Insulator Material: Glass-Filled Nylon 46; UL94V0
- Contact Material: Beryllium Copper / Phosphor Bronze
- Plating: Tin over Nickel
- Replacibility: 5 Cycles

### HOW TO ORDER

<b>00</b>	<b>9286</b>	<b>00X</b>												
Prefix	Series	Number of Ways												
		<table border="1"> <thead> <tr> <th>Code</th> <th>No of Ways</th> <th>Details</th> </tr> </thead> <tbody> <tr> <td>004</td> <td>4</td> <td>Page 10</td> </tr> <tr> <td>006</td> <td>6</td> <td>Page 11</td> </tr> <tr> <td>008</td> <td>8</td> <td>Page 12</td> </tr> </tbody> </table>	Code	No of Ways	Details	004	4	Page 10	006	6	Page 11	008	8	Page 12
Code	No of Ways	Details												
004	4	Page 10												
006	6	Page 11												
008	8	Page 12												

<b>121</b>								
Wire Size								
<table border="1"> <thead> <tr> <th>Code</th> <th>Wire Gauge</th> <th>Max Conductor</th> <th>Max Insulation</th> </tr> </thead> <tbody> <tr> <td>121</td> <td>18 to 26 AWG</td> <td>1.05mm Diameter</td> <td>2.10mm Diameter</td> </tr> </tbody> </table>	Code	Wire Gauge	Max Conductor	Max Insulation	121	18 to 26 AWG	1.05mm Diameter	2.10mm Diameter
Code	Wire Gauge	Max Conductor	Max Insulation					
121	18 to 26 AWG	1.05mm Diameter	2.10mm Diameter					

<b>9</b>	<b>06</b>
Color Options	Plating Option
9 = UL Red	06 = Tin all over



Certification: UL File #E90723

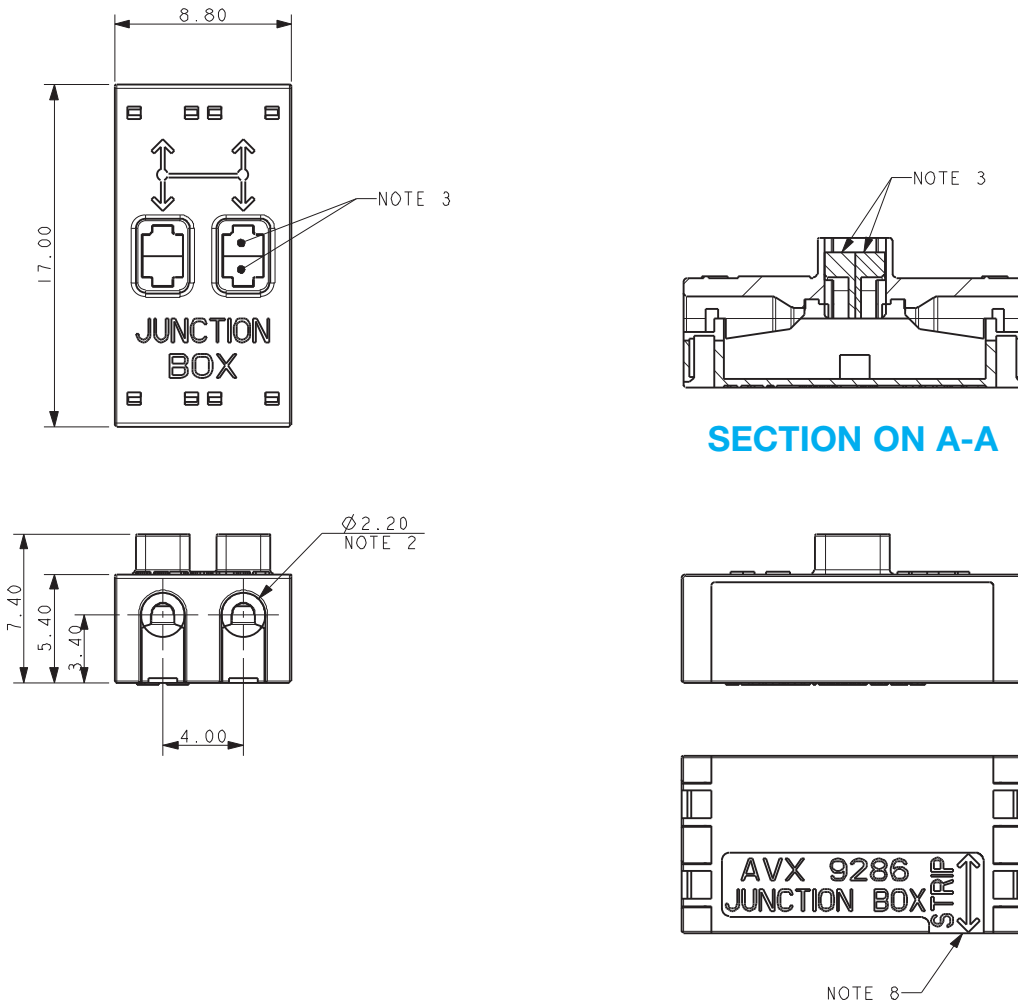


# Poke Home – Junction Box



Series 9286

## 18-26 AWG 4 WAY POKE HOME – JUNCTION BOX



### PACKING DETAILS

Pack 400 pieces in a clear plastic bag.

#### NOTES:

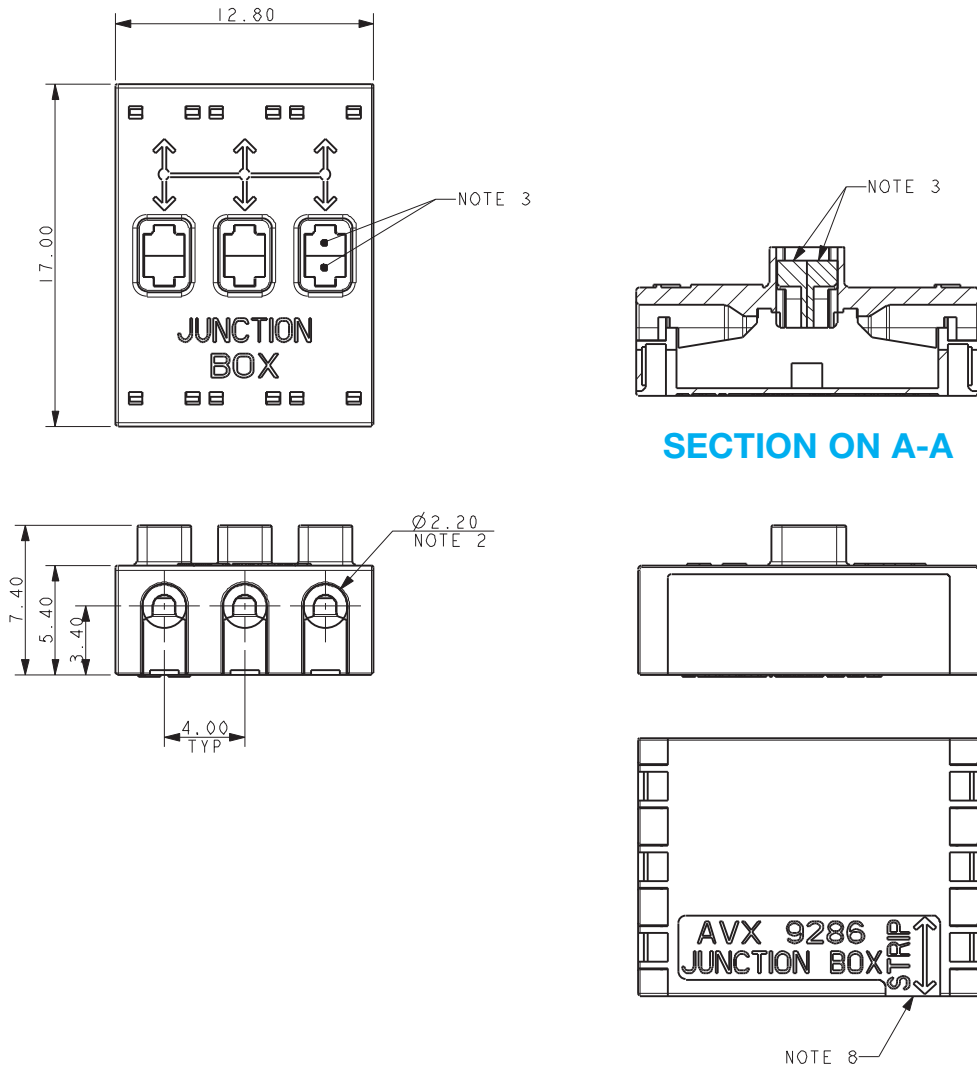
1. 4 WAY WIRE TO WIRE "POKE HOME" CONNECTOR, BUTTON OPERATED. ALL TERMINALS INTERCONNECTED.
2. WIRE SIZES 18-26 AWG, MAXIMUM INSULATION DIAMETER 2.10MM.
3. SPLIT BUTTON ALLOWS THE WIRES TO BE INSERTED/WITHDRAWN INDEPENDENTLY.
4. INSULATION MATERIAL: NYLON 46, GLASS FILLED, UL94 V-0. COLOR SEE PAGE 9.
5. CONTACT MATERIAL: TIN PLATED COPPER ALLOY.
6. FOR FULL SPECIFICATION REFER TO ELCO SPECIFICATION 201-01-132. FOR APPLICATION NOTES REFER TO ELCO SPECIFICATION 201-01-135.
7. GENERAL TOLERANCE  $\pm 0.20$ MM.
8. WIRE STRIP LENGTH GUIDE, SEE PAGE 13.
9. ADHESIVE STRIP FOR PANEL MOUNTING REFER TO PAGE 14.
10. FOR UL PRODUCT CODES UL REFERENCE E90723 (US AND CANADA).

# Poke Home – Junction Box



Series 9286

## 18-26 AWG 6 WAY POKE HOME – JUNCTION BOX



### PACKING DETAILS

Pack 400 pieces in a clear plastic bag.

#### NOTES:

1. 6 WAY WIRE TO WIRE "POKE HOME" CONNECTOR, BUTTON OPERATED. ALL TERMINALS INTERCONNECTED.
2. WIRE SIZES 18-26 AWG, MAXIMUM INSULATION DIAMETER 2.10MM.
3. SPLIT BUTTON ALLOWS THE WIRES TO BE INSERTED/WITHDRAWN INDEPENDENTLY.
4. INSULATION MATERIAL: NYLON 46, GLASS FILLED, UL94 V-0. COLOR SEE PAGE 9.
5. CONTACT MATERIAL: TIN PLATED COPPER ALLOY.
6. FOR FULL SPECIFICATION REFER TO ELCO SPECIFICATION 201-01-132. FOR APPLICATION NOTES REFER TO ELCO SPECIFICATION 201-01-135.
7. GENERAL TOLERANCE  $\pm 0.20$ MM.
8. WIRE STRIP LENGTH GUIDE, SEE PAGE 13.
9. ADHESIVE STRIP FOR PANEL MOUNTING REFER TO PAGE 14.
10. FOR UL PRODUCT CODES UL REFERENCE E90723 (US AND CANADA).

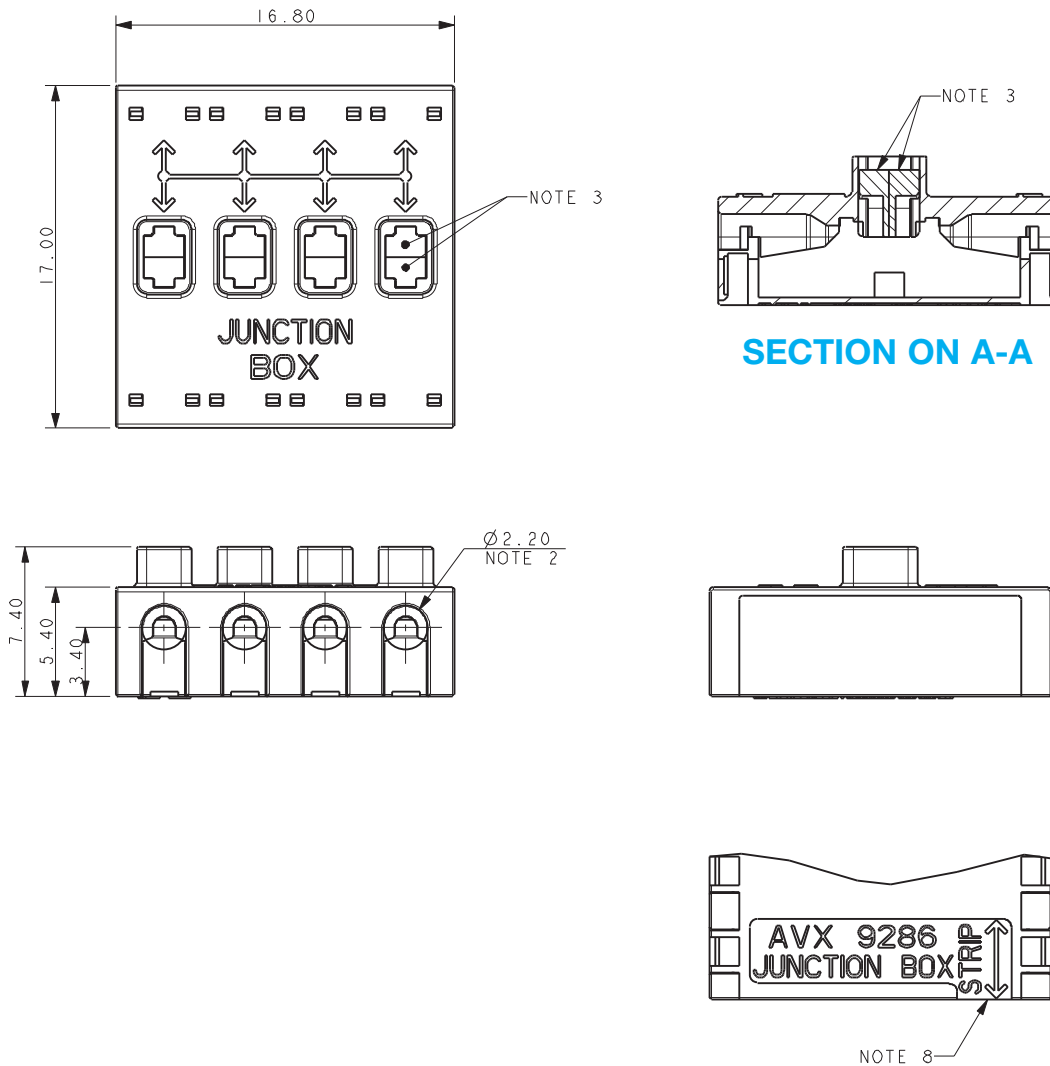


# Poke Home – Junction Box



Series 9286

## 18-26 AWG 8 WAY POKE HOME – JUNCTION BOX



### PACKING DETAILS

Pack 400 pieces in a clear plastic bag.

#### NOTES:

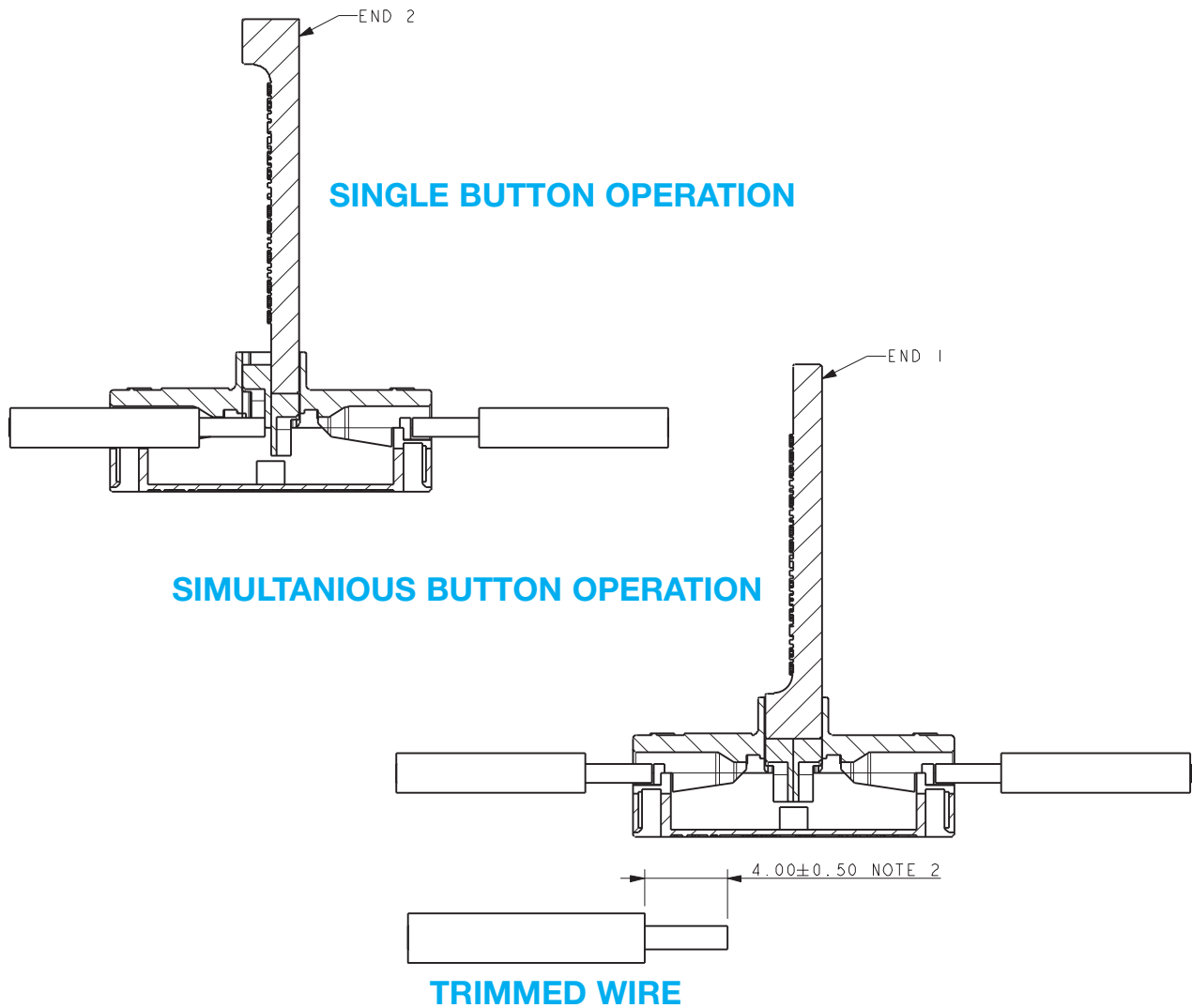
1. 8 WAY WIRE TO WIRE "POKE HOME" CONNECTOR, BUTTON OPERATED. ALL TERMINALS INTERCONNECTED.
2. WIRE SIZES 18-26 AWG, MAXIMUM INSULATION DIAMETER 2.10MM.
3. SPLIT BUTTON ALLOWS THE WIRES TO BE INSERTED/WITHDRAWN INDEPENDENTLY.
4. INSULATION MATERIAL: NYLON 46, GLASS FILLED, UL94 V-0. COLOR SEE PAGE 9.
5. CONTACT MATERIAL: TIN PLATED COPPER ALLOY.
6. FOR FULL SPECIFICATION REFER TO ELCO SPECIFICATION 201-01-132. FOR APPLICATION NOTES REFER TO ELCO SPECIFICATION 201-01-135.
7. GENERAL TOLERANCE  $\pm 0.20$ MM.
8. WIRE STRIP LENGTH GUIDE, SEE PAGE 13.
9. ADHESIVE STRIP FOR PANEL MOUNTING REFER TO PAGE 14.
10. FOR UL PRODUCT CODES UL REFERENCE E90723 (US AND CANADA).

# Poke Home – Thru-Wire



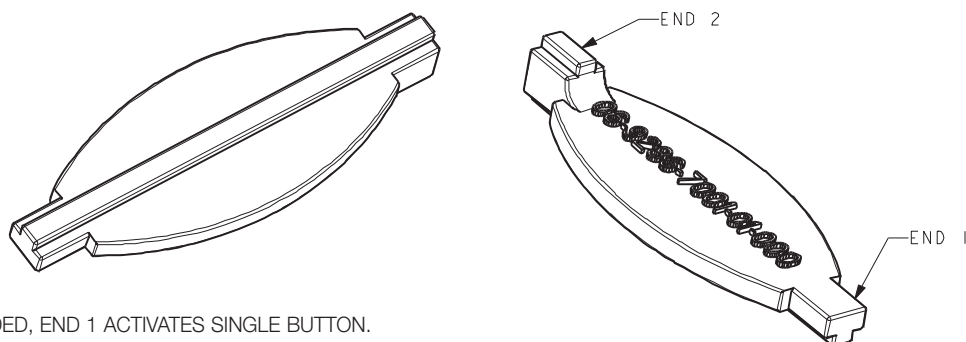
Series 9286

## POKE HOME BUTTON ACTIVATION TOOL



## 9286 BUTTON ACTIVATION TOOL

06-9286-7001-01-000



### NOTES:

1. TOOL IS DOUBLE ENDED, END 1 ACTIVATES SINGLE BUTTON.  
END 2 FOR SIMULTANEOUS BUTTON ACTIVATION.
2. WIRE WHEN TRIMMED TO BE STRAIGHT WITH NO BURRS.
3. FOR FULL ASSEMBLY DETAILS REFER TO APPLICATION NOTES 201-01-135.
4. SUPPLIED IN PACKS OF 100 PIECES.



# Poke Home – Thru-Wire

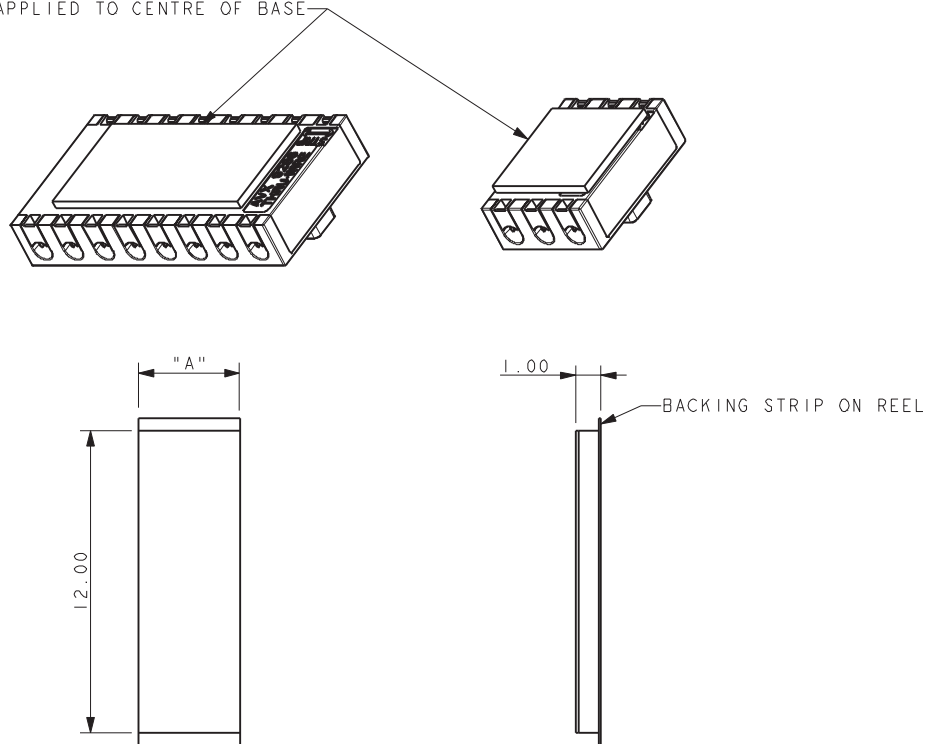


## Series 9286

### 08-9286-400X-00-000 ADHESIVE MOUNTING TAPE

ACCESSORY NOT SUPPLIED WITH CONNECTORS

TAPE APPLIED TO CENTRE OF BASE



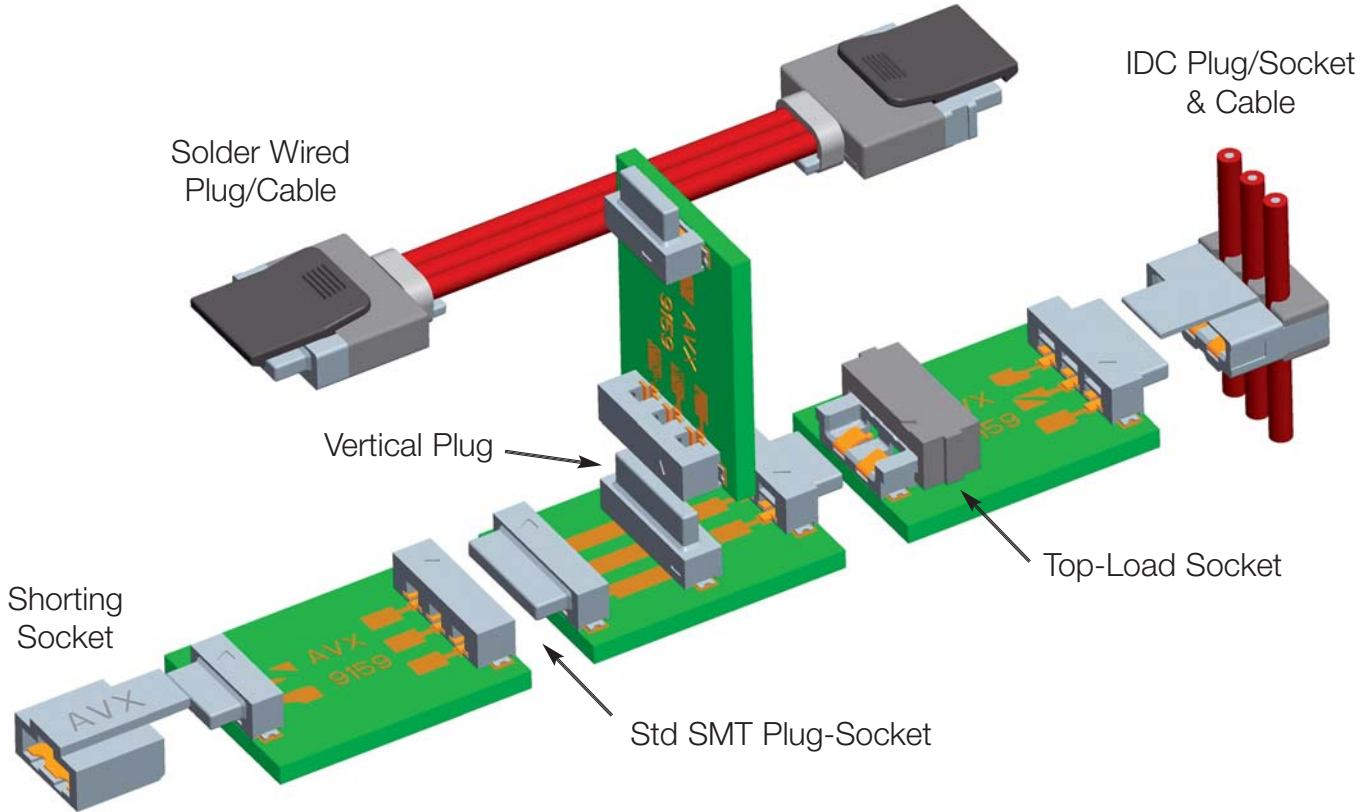
Part Number	Dimension "A"	Matching Connectors	
		00-9286-00X-021-X06 Thru Wire	00-9286-00X-121-X06 Junction Box
80-9286-4001-00-000	4.00	1 Way	N/A
80-9286-4002-00-000	8.00	2 Way	4 Way
80-9286-4003-00-000	12.00	3 and 4 Way	6 and 8 Way
80-9286-4006-00-000	24.00	6 and 8 Way	N/A

NOTES:

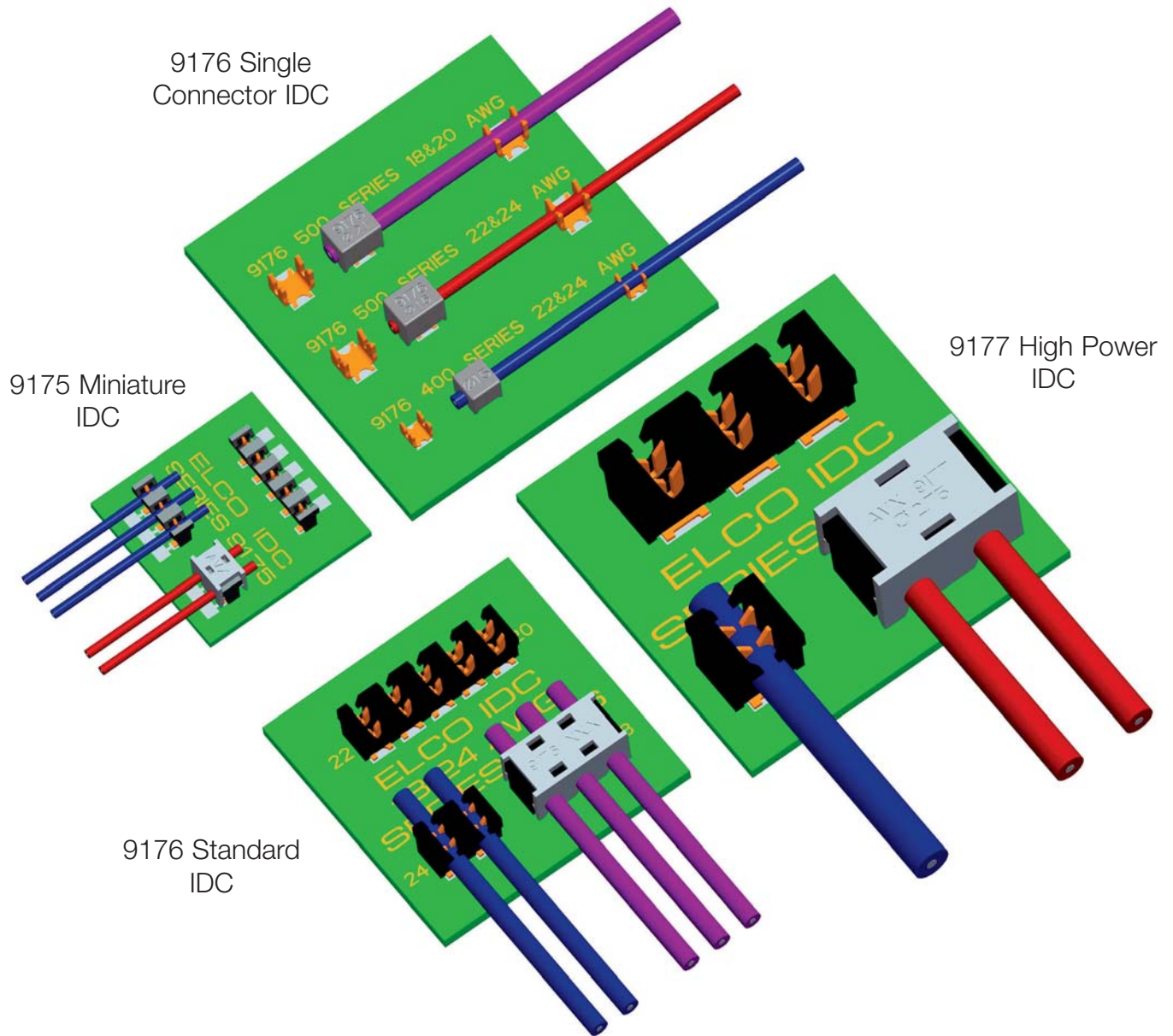
1. DOUBLE SIDED FOAM FILLED ADHESIVE TAPE.
2. WIDTH FOR 1 WAY, 2 WAY, 3 WAY AND 6 WAY CONNECTORS, FOR LENGTH SEE TABLE.
3. USED FOR ADHERE A 9286 CONNECTOR TO A FLAT SURFACE.
4. SOME SURFACES MAY REQUIRE THE USE OF A CLEANING SOLVENT TO ACHIEVE BEST RESULTS.
5. SUPPLIED CUT TO SIZE ON A REEL ON AN OVERSIZE BACKING STRIP PARTS 400 PER REEL.



# 9159 2-Part Connector Family



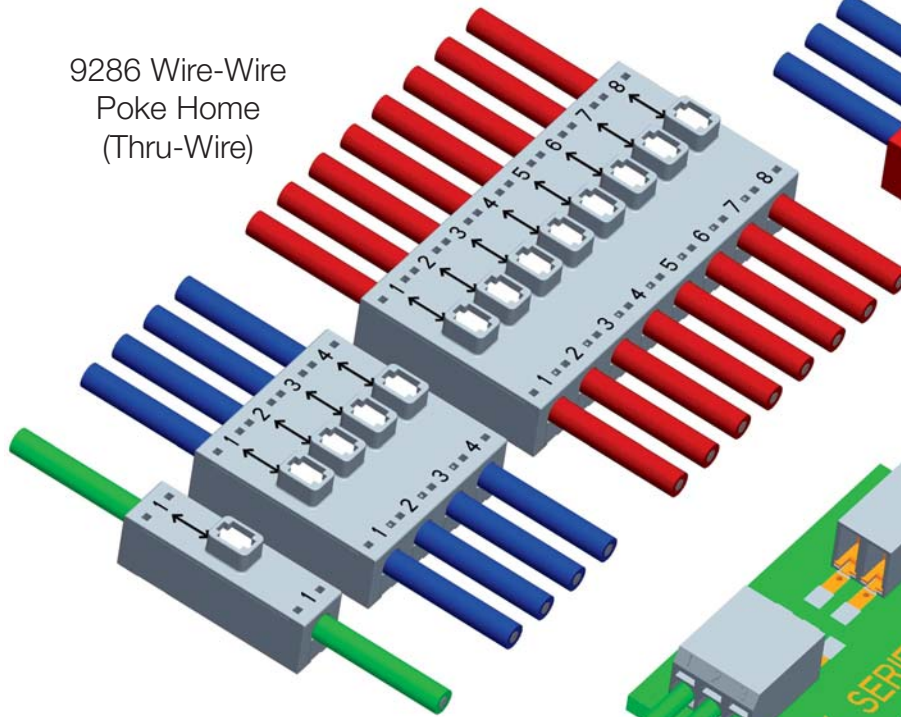




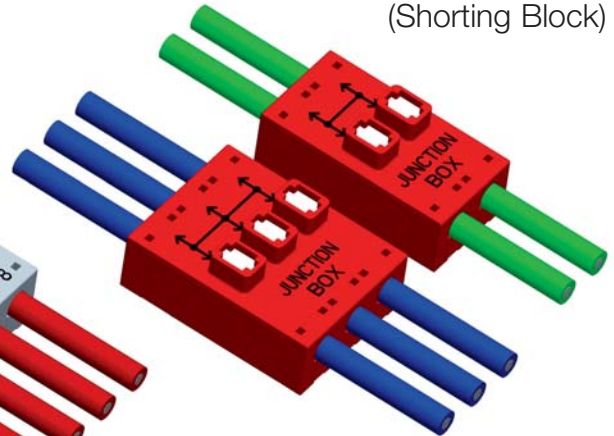
# 9276, 9286 Poke-Home Connector Family



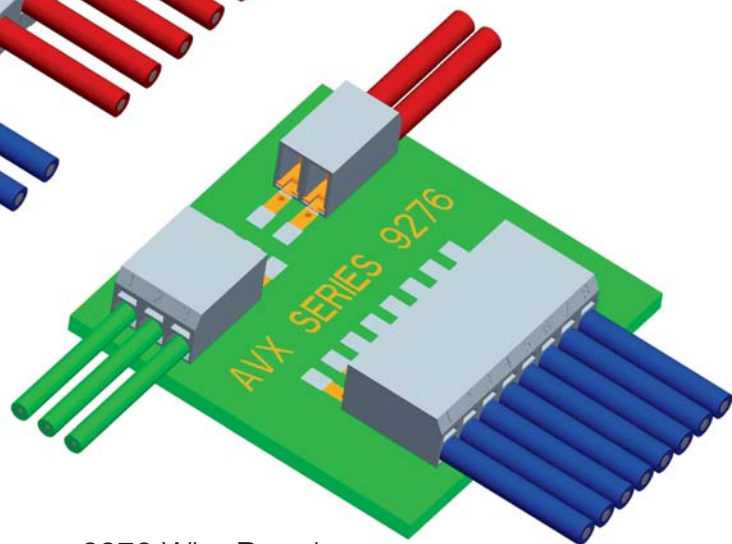
9286 Wire-Wire  
Poke Home  
(Thru-Wire)



9286 Wire-Wire  
Poke Home  
(Shorting Block)



9276 Wire-Board  
Poke Home



## AMERICAS

**AVX Greenville, SC**  
Tel: 864-967-2150

**AVX Northwest, WA**  
Tel: 360-699-8746

**AVX Midwest, IN**  
Tel: 317-861-9184

**AVX Mid/Pacific, CA**  
Tel: 408-988-4900

**AVX Northeast, MA**  
Tel: 617-479-0345

**AVX Southwest, CA**  
Tel: 949-859-9509

**AVX Canada**  
Tel: 905-238-3151

**AVX South America**  
Tel: +55-11-4688-1960

## EUROPE

**AVX Limited, England**  
Tel: +44-1276-697000

**AVX S.A.S., France**  
Tel: +33-1-69-18-46-00

**AVX GmbH, Germany**  
Tel: +49-0811-95949-0

**AVX SRL, Italy**  
Tel: +39-02-614-571

**AVX Czech Republic**  
Tel: +420-57-57-57-521

**AVX/ELCO UK**  
Tel: +44-1638-675000

**ELCO Europe GmbH**  
Tel: +49-2741-299-0

**AVX S.A., Spain**  
Tel: +34-91-63-97-197

**AVX Benelux**  
Tel: +31-187-489-337

## ASIA-PACIFIC

**AVX/Kyocera (S) Pte Ltd.,  
Singapore**  
Tel: +65-6286-7555

**AVX/Kyocera, Asia, Ltd.,  
Hong Kong**  
Tel: +852-2363-3303

**AVX/Kyocera Yuhan Hoesa,  
South Korea**  
Tel: +82-2785-6504

**AVX/Kyocera HK Ltd.,  
Taiwan**  
Tel: +886-2-2656-0258

**AVX/Kyocera (M) Sdn Bhd,  
Malaysia**  
Tel: +60-4228-1190

**AVX/Kyocera International  
Trading Co. Ltd.,  
Shanghai**  
Tel: +86-21-3255 1933

**AVX/Kyocera Asia Ltd.,  
Shenzen**  
Tel: +86-755-3336-0615

**AVX/Kyocera International  
Trading Co. Ltd.,  
Beijing**  
Tel: +86-10-6588-3528

**AVX/Kyocera India  
Liaison Office**  
Tel: +91-80-6450-0715

## ASIA-KED (KYOCERA Electronic Devices)

**KED Hong Kong Ltd.**  
Tel: +852-2305-1080/1223

**KED Hong Kong Ltd.  
Shenzen**  
Tel: +86-755-3398-9600

**KED Company Ltd.  
Shanghai**  
Tel: +86-21-3255-1833

**KED Hong Kong Ltd.  
Beijing**  
Tel: +86-10-5869-4655

**KED Taiwan Ltd.**  
Tel: +886-2-2950-0268

**KED Korea Yuhan Hoesa,  
South Korea**  
Tel: +82-2-783-3604/6126

**KED (S) Pte Ltd.  
Singapore**  
Tel: +65-6509-0328

**Kyocera Corporation  
Japan**  
Tel: +81-75-604-3449

### Contact:

