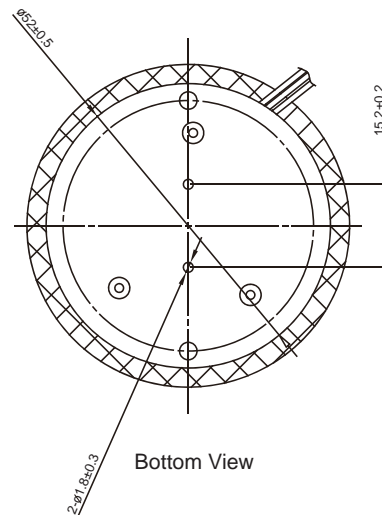
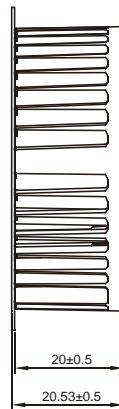
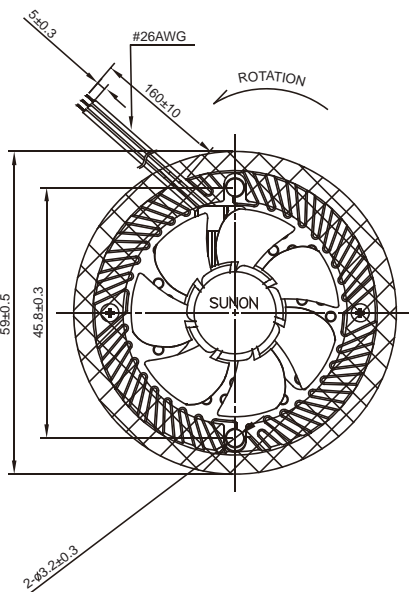


15W LED A19 Active Cooling Module

- Optimal Sound Quality
- Prolong LED lighting's overall service life
- High Reliability

Specification	
Model No.	TA001-09012
Module Dimension	∅ 59 x 20.53 mm
Weight	48.0 g
Thermal Resistance	1.2°C / Watts
Cooling Module Noise @1M	16.8 dB(A)
Rated Voltage	5 V
Power Consumption	0.21 W
Fan Speed (with Heat Sink)	3800 RPM
Heat Sink Material	ADC12
Safety	UL / CUR / TUV / CE



UNIT: mm