

LED Spotlight Active Cooling Module

- Optimal Sound Quality
- Prolong LED lighting's overall service life
- High Reliability



LED Spot Lighting Specification				
Model No.		TA001-11002	TA003-10003	TA004-10003
Module Dimension		φ86 x 30.4 mm	φ86 x 52.4 mm	φ86 x 52.4 mm
Weight		114g	237g	233g
Cooling Module Noise @ 1M		14.0dB(A)	15.1dB(A)	16.2dB(A)
Rated Voltage		12VDC	12VDC	12VDC
Power Consumption		0.28Watts	0.28Watts	0.34Watts
Fan Speed		2200 RPM+/- 10%	2200 RPM+/- 10%	2200 RPM+/- 10%
Heat Sink Material		AL6063	AL6063	AL6063
Safety		UL/CUR/TUV/CE	UL/CUR/TUV/CE	UL/CUR/TUV/CE
Philips Fortimo SLM LED Modules	SLM 1100 lm(17W)	Tc=47 °C @Ta=35°C	Tc=45 °C @Ta=35°C	Tc=42 °C @Ta=35°C
	SLM 1500 lm(20W)	Tc=50 °C @Ta=35°C	Tc=47 °C @Ta=35°C	Tc=44 °C @Ta=35°C
	SLM 2000 lm(32W)	Tc=58 °C @Ta=35°C	Tc=54 °C @Ta=35°C	Tc=49 °C @Ta=35°C
	SLM 3000 lm(43W)	X	Tc=60 °C @Ta=35°C	Tc=54 °C @Ta=35°C
	SLM 5000 lm(75W)	X	X	Tc=68 °C @Ta=35°C
	SLM Lexel TW(22W)	Tc=50 °C @Ta=35°C	Tc=48 °C @Ta=35°C	Tc=44 °C @Ta=35°C
	SLM Lexel RGB(25W)	Tc=52 °C @Ta=35°C	Tc=49 °C @Ta=35°C	Tc=45 °C @Ta=35°C

1. Tc : Maximum Surface Temperature of LED Module, Ta : Ambient Temperature
2. All specifications were tested in free air.
3. Products or Information are subject to change without notice. Please contact with Sunon Sales.
4. If you have inquiry for TIM (Thermal Interface Materials), Please contact sales.

Standard function	
1	Fan Rated Voltage_12V
2	Auto Restart
3	Reverse Polarity Protection

Optional function	
1	Fan Rated Voltage_5V
2	PWM speed control
3	Protection IP 51
4	Fan 3rd wire signal (F / R type)
5	Temperature controller

LED Spotlight Active Cooling Module

Dimension



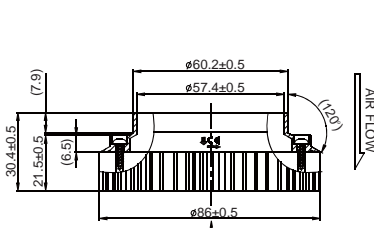
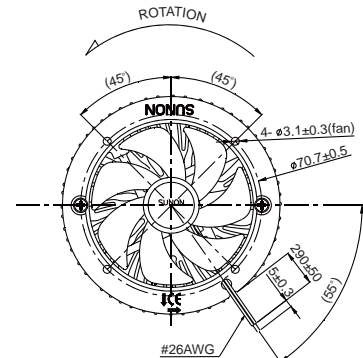
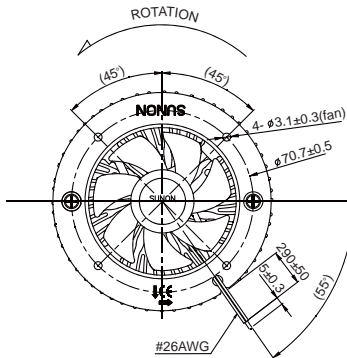
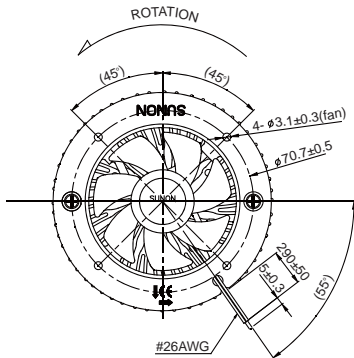
Model: TA001-11002



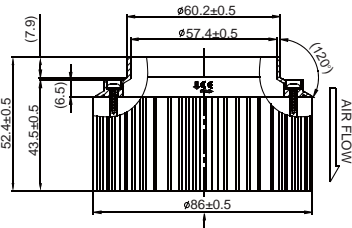
Model: TA003-10003



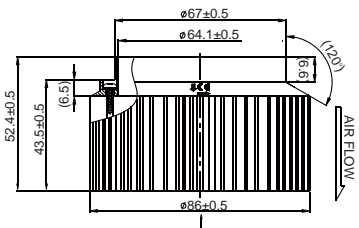
Model: TA004-10003



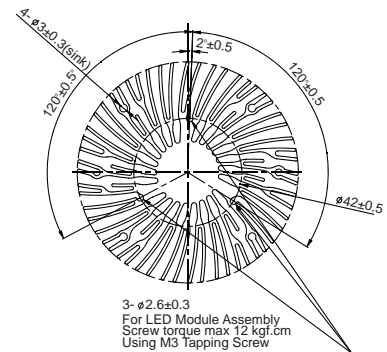
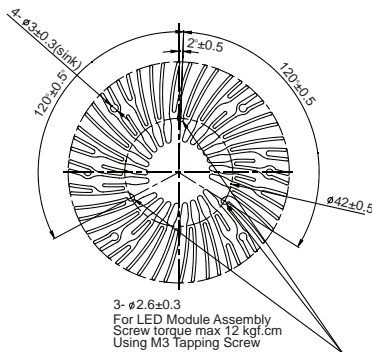
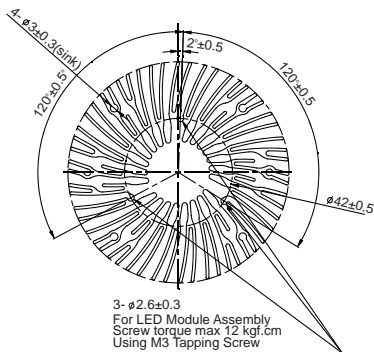
LED Module
Assembly direction of customer's LED Module



LED Module
Assembly direction of customer's LED Module



LED Module
Assembly direction of customer's LED Module



UNIT: mm