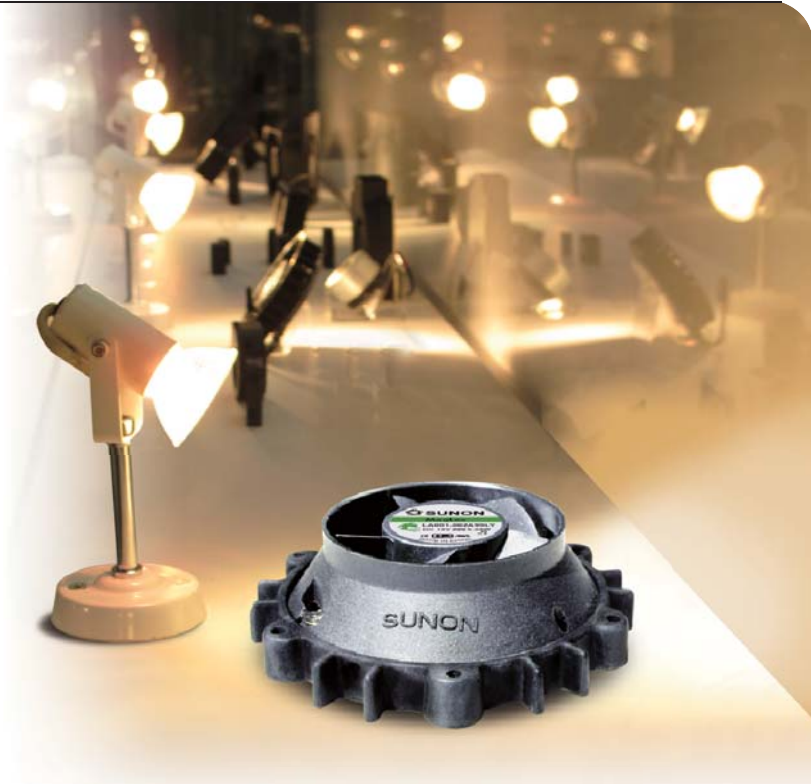
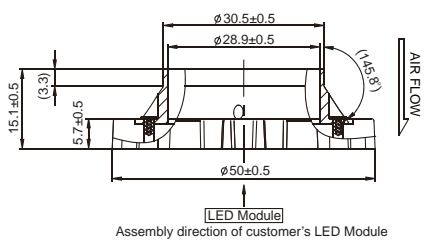
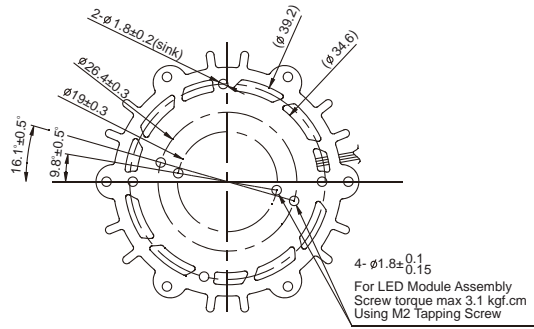
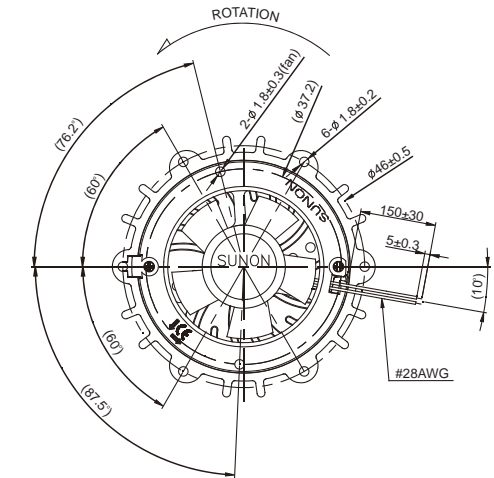


15W LED MR16 Active Cooling Module

- Optimal Sound Quality
- Prolong LED lighting's overall service life
- High Reliability



Specification	
Model No.	LA001-002A99LY
Module Dimension	∅ 50 x15.1 mm
Weight	19.3 g
Thermal Resistance	4.5°C / Watts
Cooling Module Noise @1M	16.5 dB(A)
Rated Voltage	12 V
Power Consumption	0.30 W
Fan Speed (with Heat Sink)	4600 RPM
Heat Sink Material	AL1070
Safety	UL / CUR / TUV / CE



UNIT: mm