



ELCO

Card-Edge Connectors

Table of Contents

AVX

| | PAGE |
|----------------------------------|------|
| Applications | 2 |
| Contact Styles | 2 |
| Design Aids | 3 |
| Mounting Variations | 4 |
| Board to Board Mating Variations | 4 |

| SPACING | CONTACT STYLE | TERMINATION | PROFILE HEIGHT/CARD SLOT | SERIES | PAGE |
|--|-----------------------------------|--|---|-------------|------|
| .156 X .200 | Semi-Bellows Rectangular Tails | Solder, Wire Wrap, Solder Eyelet, Switching | .460" Low Profile / .300" 6 to 86 Contacts | 6007 | 5 |
| | | Card Guides: Solder, Solder Eyelet, Wire Wrap, Switching | .300" Card 22 or 44 Contacts | 6022 | 6 |
| | | | .300" Card 18 or 36 Contacts | 6024 | |

Applications Versatility

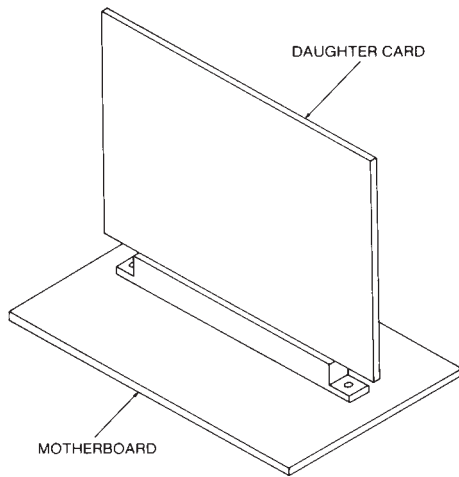
AVX

AVX's Card-Edge line of standards and specials meet the requirements of a wide variety of applications. Connectors are available with either single or dual read outs. They may apply to single, double and multilayer boards up to 178 contacts.

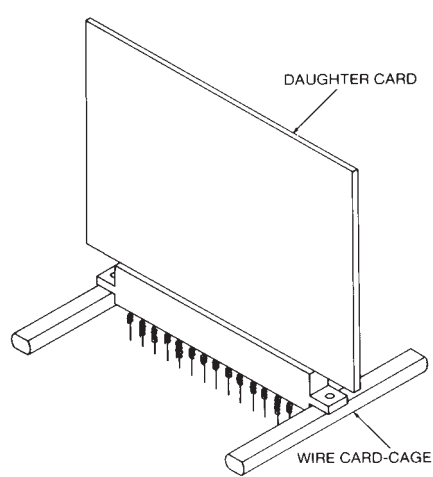
Standard contact is bifurcated for dual points of mating while available in either semi-bellows or cantilever. Select from such terminations as straight or right angle, wire wrap, printed circuit and solder eyelet. Mounting possibilities include printed circuit

and solderless printed circuit press-fit. Consult factory or the AVX distributor near you for other possible series offerings.

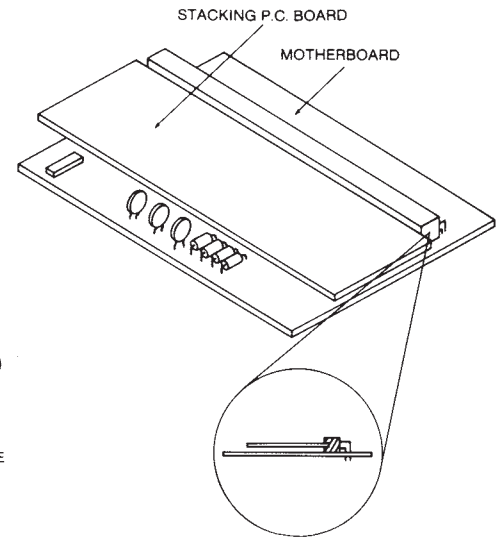
Motherboard to daughter card



Wire wrap to daughter card



Parallel boards

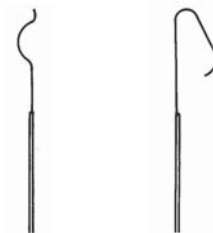


Contact Styles

Contact tail styles

| ITEM | DESCRIPTION | MATING SIDE TO CONTACT TAIL | CONFIG. |
|------|---|--------------------------------------|---------|
| 1. | Solder eyelet hole: soldering discrete wire to contact tail | Recommended wire size (18 AWG max.) | |
| 2. | Rectangle solder type: flow solder connector to the motherboard | PCB finished hole size .050" | |
| 3. | .025" square solder post: flow solder connector to the motherboard | PCB finished hole size .035" | |
| 4. | .025" square wire wrap post: use with automatic wire wrap machine | Recommended wire size (30 AWG typ.) | |
| 5. | .025" press-fit post VARIPIN™: press-fit connector into the motherboard (contact replaceable) | PCB finished hole size .040" ± .003" | |

Contact style

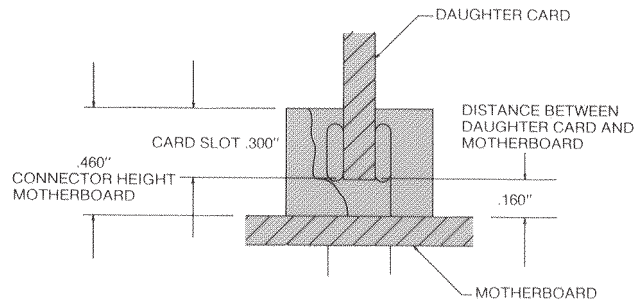


CANTILEVER SEMI-BELLOWS
 SERIES 6333
 SERIES 6007
 6352

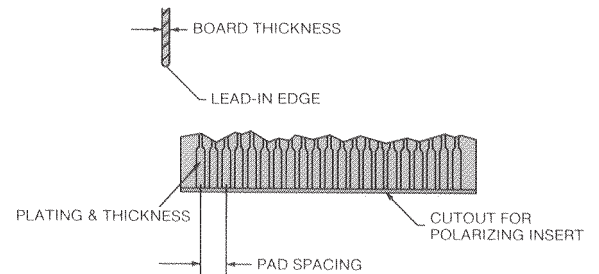
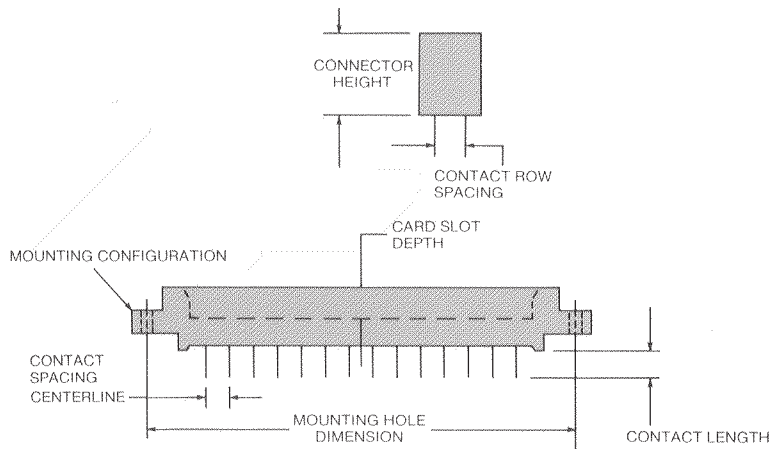
Cantilever: Where controlled normal forces with low cost is desired.

Semi-Bellows type: Where short P.C. board pad length and lower insertion forces are required.

Low profile mounting dimensions: 6007



Design aids questionnaire



Connector definitions

1. What is the contact centerline spacing?

2. What is the contact row spacing?

3. What is the connector height?

4. What is the card slot depth?

5. What type of mounting is desired?

6. What contact tail length and plating required?

7. Number of contacts required?

P.C. Circuit board definitions

1. What is the centerline spacing of contact pads?

2. What is the P.C. board thickness?

3. What is the lead-in edge to the mating P.C. board?

4. What is the plating and thickness of P.C. pads?

5. What finished hole size is used on the mounting P.C. board? (Motherboard mounted)

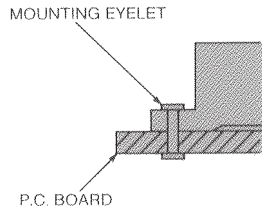
6. What kind of polarization is required?

7. What is the length of the P.C. card?

Insulator Mounting Variations

AVX

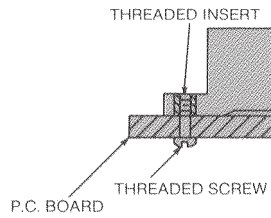
STD SERIES
6007



FLUSH MOUNT
USUALLY USED WITH WIRE WRAP TAILS

1

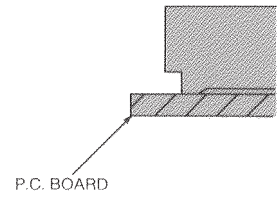
STD SERIES
6007



FLUSH MOUNT WITH INSERT
USUALLY USED WITH SOLDER TAILS

2

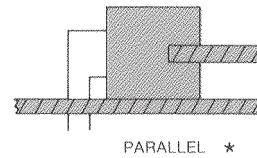
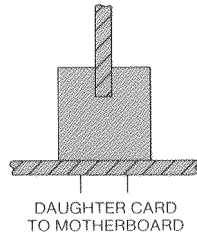
STD SERIES
6308



NO MOUNTING EARS
USUALLY USED WITH SOLDER TAILS

3

Board to Board Mating Variations



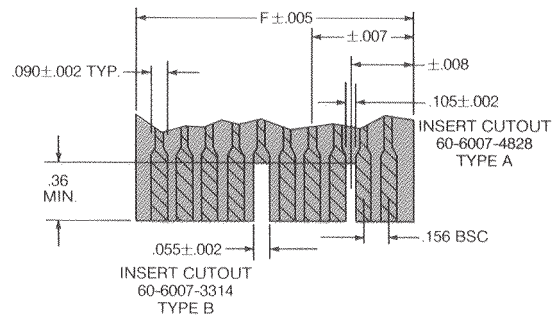
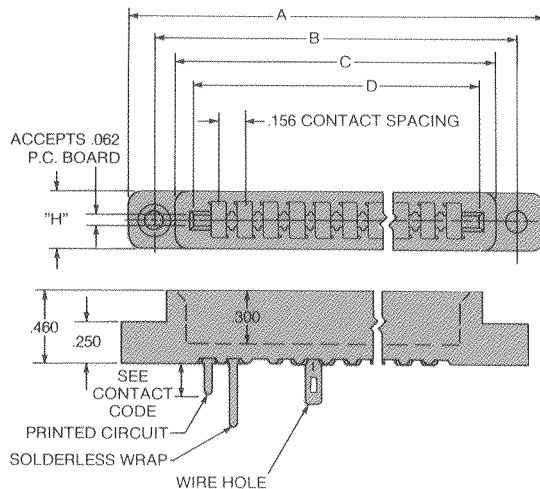
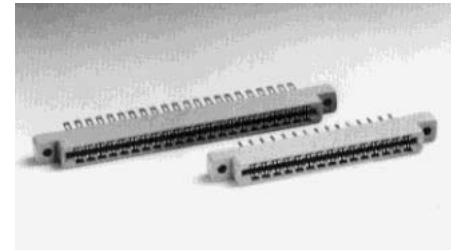
Please consult the factory for special tail configurations

.156" x .200"

SERIES 6007

| NO. OF CONTACTS | | A | B | C | D | E | F | H | J |
|-----------------|--------------|-------|-------|-------|-------|-------|-------|------|------|
| SINGLE READOUT | DUAL READOUT | | | | | | | | |
| 6 | 12 | 1.842 | 1.532 | 1.246 | 1.100 | 1.290 | 1.086 | .343 | .380 |
| 10 | 20 | 2.466 | 2.156 | 1.870 | 1.724 | 1.910 | 1.710 | .343 | .380 |
| 12 | 24 | 2.778 | 2.468 | 2.182 | 2.036 | 2.220 | 2.022 | .343 | .380 |
| 15 | 30 | 3.246 | 2.936 | 2.650 | 2.504 | 2.700 | 2.490 | .343 | .380 |
| 18 | 36 | 3.714 | 3.404 | 3.118 | 2.972 | 3.160 | 2.958 | .343 | .380 |
| 22 | 44 | 4.338 | 4.028 | 3.742 | 3.596 | 3.790 | 3.582 | .343 | .380 |
| 36 | 72 | 6.522 | 6.212 | 5.926 | 5.780 | 5.940 | 5.766 | .500 | .540 |
| 43 | 86 | 7.614 | 7.304 | 7.018 | 6.872 | 7.040 | 6.858 | .500 | .540 |

Rectangular Tails



Features

- *Meets the performance requirements of MIL-C-21097
- Single and dual read-out contacts
- Eight sizes: 6/12, 10/20, 12/24, 15/30, 18/36, 22/44, 36/72, 43/86, contacts
- Three mounting styles: mounting holes, floating eyelets and threaded inserts

Specifications

Current rating: 5 amperes
Contact resistance: 6 milliohms, maximum
Contact material: Phosphor bronze

Contact plating:

Overall: 50-100 microinches nickel and 10 microinches min. gold overall

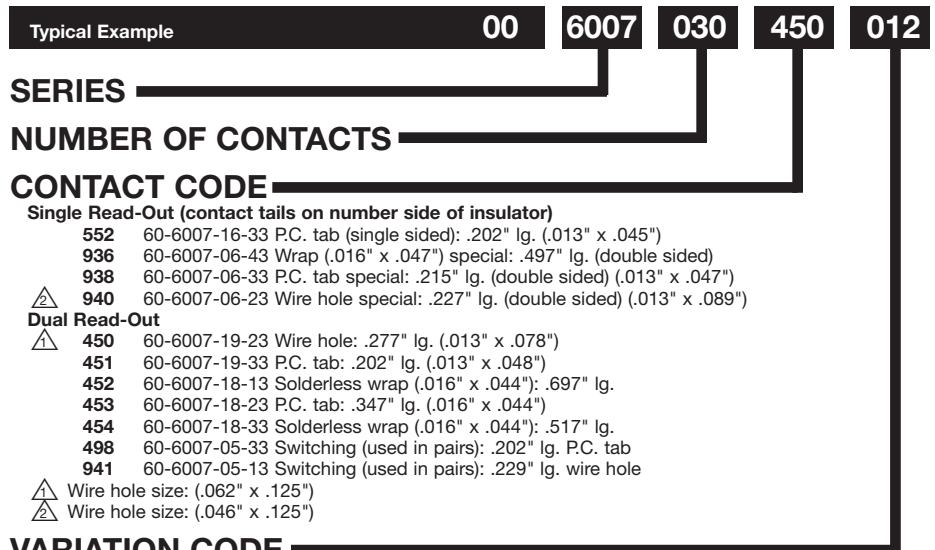
Insertion/withdrawal force: 2 to 16 ounces per contact pair, nominal P.C. card

Insulator material: Diallyl phthalate, glass-filled, per MIL-M-14F, type SDGF (check factory for other available materials)

Insulation resistance: 25,000 megohms, minimum

Dielectric withstanding voltage: 2000 VAC between adjacent contacts, RMS, at sea level

Ordering Code



VARIATION CODE

Plating

Overall

- 012 With .128" dia. mounting holes
- 018 With #4-40 insert

Recommended for standard applications. Available through AVX franchised distributors.

.156" x .200"

SERIES 6022/6024

Features

- Extended card guides
- Ribbon-type contacts with bifurcated nose
- Choice of terminations: solder (wire hole and P.C. tab), or low-cost solderless wrap contacts
- For 1/16" P.C. card

Specifications

Current rating: 5 amperes
Contact resistance: 6 milliohms, maximum
Contact material: Phosphor bronze

Contact plating:*

Overall: 50-100 microinches nickel and 10 microinches min. gold overall
Insertion/withdrawal force: 2 to 16 ounces per contact pair, nominal P.C. card
Insulator material: Polyester per UL 94VO
Insulation resistance: 5000 megohms, minimum
Dielectric withstanding voltage: 1800 VAC between adjacent contacts, RMS, at sea level

Rectangular Tails Series 6007 Contacts

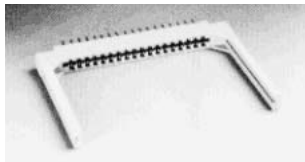
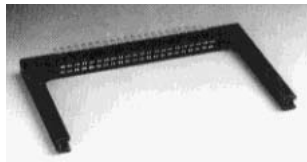
*For other type platings and thicknesses please consult factory.

Ordering Code



SERIES
6022

6024



NUMBER OF CONTACTS

6022

6024

| Single Readout | Dual Readout |
|----------------|--------------|
| 22 | 44 |

| Single Readout | Dual Readout |
|----------------|--------------|
| 18 | 36 |

CONTACT CODE

Single Read-Out

- 552 60-6007-16-33 P.C. tab (single sided): .202" lg.
- 936 60-6007-06-43 Wrap (.016" x .047") special: .497" lg.
- 938 60-6007-06-33 P.C. tab special: .215" lg.
- 940 60-6007-06-23 Wire hole special: .227" lg.

Dual Read-Out

- 450 60-6007-19-23 Wire hole: .277" lg.
- 451 60-6007-19-33 P.C. tab: .202" lg.
- 452 60-6007-18-13 Solderless wrap (.016" x .044"): .697" lg.
- 453 60-6007-18-23 P.C. tab: .347" lg.
- 454 60-6007-18-33 Solderless wrap (.016" x .044"): .517" lg.
- 498 60-6007-05-33 Switching (used in pairs): .202" lg. P.C. tab
- 941 60-6007-05-13 Switching (used in pairs): .229" lg. wire hole

VARIATION CODE

6022

6024

Plating

Overall

- 001 44 Dual read-out contacts installed in all positions
- 002 22 Single read-out contacts installed on numbered side only (551, 552, 936, 938, 940)
- 003 22 Single read-out contacts installed on lettered side only (551, 552, 936, 938, 940)
- 004 22 Single read-out contacts installed staggered starting with position 1, B, 3, D, etc. (936, 938, 940 only)
- 005 22 Single read-out contacts installed staggered starting with position A, 2, C, 4, etc. (936, 938, 940 only)

Plating

Overall

- 001 Dual read-out contacts
- 002 Single read-out contacts with tails in position "1" to "18" (551, 552, 936, 938, 940)
- 003 Single read-out contacts with tails in positions "A" to "V" (551, 552, 936, 938, 940)
- 004 Single read-out contacts with tails in positions 1-B-3, etc. (936, 938, 940 only)
- 005 Single read-out contacts with tails in positions A-2-C, etc. (936, 938, 940 only)

AMERICAS

**AVX Myrtle Beach, SC
Corporate Offices**
Tel: 843-448-9411
FAX: 843-448-1943

AVX Northwest, WA
Tel: 360-699-8746
FAX: 360-699-8751

AVX North Central, IN
Tel: 317-848-7153
FAX: 317-844-9314

AVX Midwest, MN
Tel: 952-974-9155
FAX: 952-974-9179

AVX Mid/Pacific, CA
Tel: 510-661-4100
FAX: 510-661-4101

AVX Northeast, MA
Tel: 617-479-0345
FAX: 843-916-7614

AVX Southwest, AZ
Tel: 602-678-0384
FAX: 602-678-0385

AVX South Central, TX
Tel: 214-566-2859
FAX: 972-461-0575

AVX Southeast, GA
Tel: 404-608-8151
FAX: 770-972-0766

AVX Canada
Tel: 905-238-3151
FAX: 905-238-0319

AVX South America
Tel: ++55-11-2193-7200
FAX: ++55-11-2193-7210

EUROPE

**AVX Limited, England
European Headquarters**
Tel: ++44 (0) 1252-770000
FAX: ++44 (0) 1252-770001

AVX/ELCO, England
Tel: ++44 (0) 1638-675000
FAX: ++44 (0) 1638-675002

AVX S.A.S., France
Tel: ++33 (0) 1-69-18-46-00
FAX: ++33 (0) 1-69-28-73-87

AVX GmbH, Germany
Tel: ++49 (0) 8131-9004-0
FAX: ++49 (0) 8131-9004-44

AVX srl, Italy
Tel: ++390 (0)2 614-571
FAX: ++390 (0)2 614-2576

AVX Czech Republic
Tel: ++420 57 57 57 521
FAX: ++420 57 57 57 109

ASIA-PACIFIC

**AVX/Kyocera, Singapore
Asia-Pacific Headquarters**
Tel: (65) 6286-7555
FAX: (65) 6488-9880

AVX/Kyocera, Hong Kong
Tel: (852) 2-363-3303
FAX: (852) 2-765-8185

AVX/Kyocera, Korea
Tel: (82) 2-785-6504
FAX: (82) 2-784-5411

AVX/Kyocera, Taiwan
Tel: (886) 2-2698-8778
FAX: (886) 2-2698-8777

AVX/Kyocera, Malaysia
Tel: (60) 4-228-1190
FAX: (60) 4-228-1196

Elco, Japan
Tel: 045-943-2906/7
FAX: 045-943-2910

Kyocera, Japan - AVX
Tel: (81) 75-604-3426
FAX: (81) 75-604-3425

Kyocera, Japan - KDP
Tel: (81) 75-604-3424
FAX: (81) 75-604-3425

**AVX/Kyocera, Shanghai,
China**
Tel: 86-21 6215 5588
FAX: 86-21 6215 5580

AVX/Kyocera, Beijing, China
Tel: 86-10 6588 3528
Fax: 86-10 6588 3529

AVX/Kyocera, Tianjin, China
Tel: 86-22 8558 9052
Fax: 86-22 5885 9061

ASIA-KED

KED, Hong Kong
Tel: (852) 2305 1080
FAX: (852) 2305 1405

KED, Shanghai
Tel: (86) 21 6859 9898
FAX: (86) 21 5887 2542

KED, Beijing
Tel: (86) 10 5869 4655
FAX: (86) 10 5869 4677

KED, South Korea
Tel: (82) 2 783 3288
FAX: (82) 2 783 3207

KED, Taiwan
Tel: (886) 2 2950 0268
FAX: (886) 2 2950 0520

KED, Singapore
Tel: (65) 6255 3122
FAX: (65) 6255 5092

Contact:

